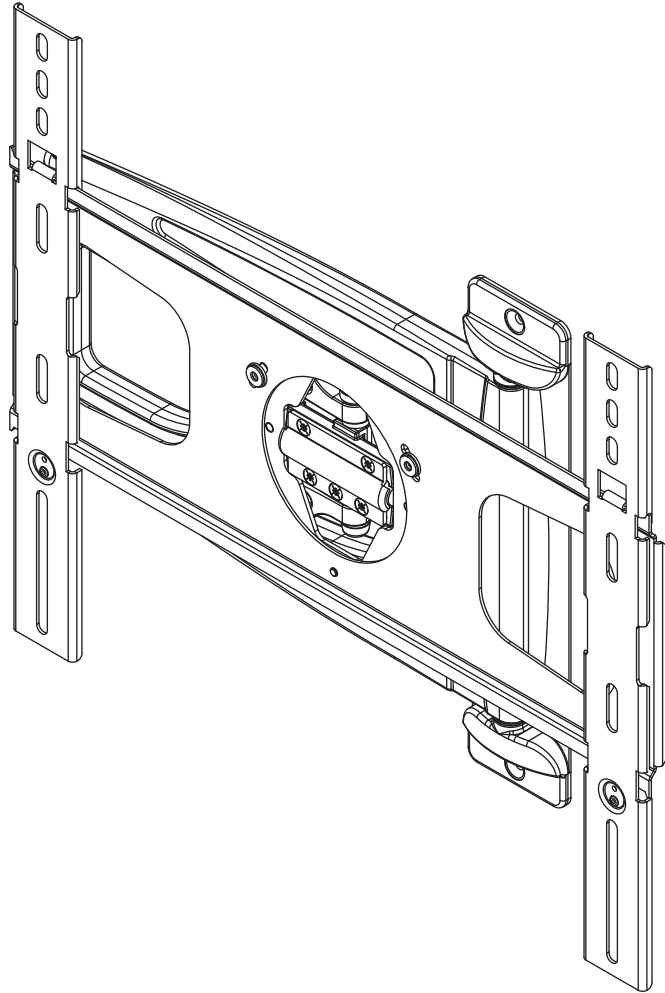




Installation and Assembly: Peerless Ultra-Thin Articulating Mount for 32" to 46"* Flat Panel Displays

Model: SUA746PU



*Display Compatibility Requirements

- Depth of display must be less than 2".
- The depth of this mount (1.27") may not provide sufficient space for proper ventilation on some displays. Please refer to the manufacturer's requirements for mounting your display before installation.
- The display must have a flat mounting surface, or the mounting holes need to be on the furthest back surface of the display.
- Input/Output connection must be properly oriented to accommodate mounting 1.27" from the wall.



Max UL Load Capacity:
60 lb (27.2 kg)

Note: Read entire instruction sheet before you start installation and assembly.

⚠ WARNING

- Do not begin to install your Peerless product until you have read and understood the instructions and warnings contained in this Installation Sheet. If you have any questions regarding any of the instructions or warnings, for US customers please call Peerless customer care at 1-800-865-2112, for all international customers, please contact your local distributor.
- This mount is designed to attach the display 1.27" from the wall. Please refer to manufacturer's installation guide recommendations for required distance from wall to avoid risk of injury or property damage.
- This product should only be installed by someone of good mechanical aptitude, has experience with basic building construction, and fully understands these instructions.
- Make sure that the supporting surface will safely support the combined load of the equipment and all attached hardware and components.
- Never exceed the Maximum UL Load Capacity. See page one.
- If mounting to wood wall studs, make sure that mounting screws are anchored into the center of the studs. Use of an "edge to edge" stud finder is highly recommended.
- Always use an assistant or mechanical lifting equipment to safely lift and position equipment.
- Tighten screws firmly, but do not overtighten. Overtightening can damage the items, greatly reducing their holding power.
- This product is intended for indoor use only. Use of this product outdoors could lead to product failure and personal injury.
- This product was designed to be installed on the following wall construction only;

WALL CONSTRUCTION

HARDWARE REQUIRED

- | | |
|--------------------|------------------------------------------------------|
| • Wood Stud | Included |
| • Wood Beam | Included |
| • Solid Concrete | Included |
| • Cinder Block | Included |
| • Metal Stud | Contact Qualified Professional (not evaluated by UL) |
| • Brick | Contact Qualified Professional (not evaluated by UL) |
| • Other or unsure? | Contact Qualified Professional |

Tools Needed for Assembly

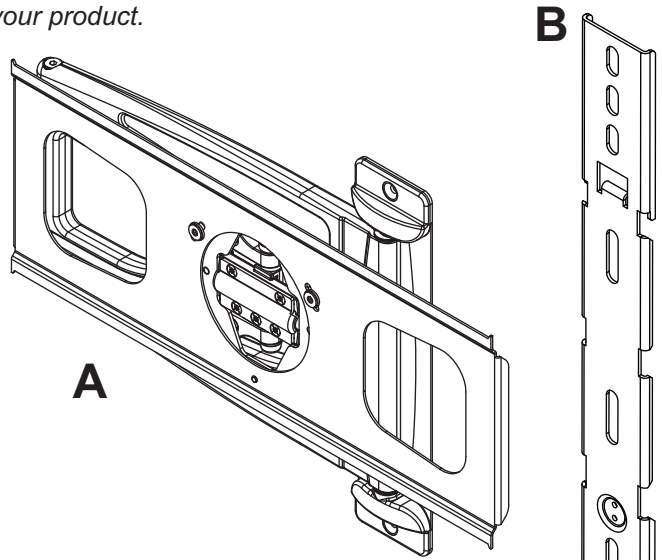
- stud finder ("edge to edge" stud finder is recommended)
- phillips screwdriver
- drill
- 5/16" (8 mm) bit for concrete and cinder block wall
- 5/32" (4 mm) bit for wood stud wall
- level

Table of Contents

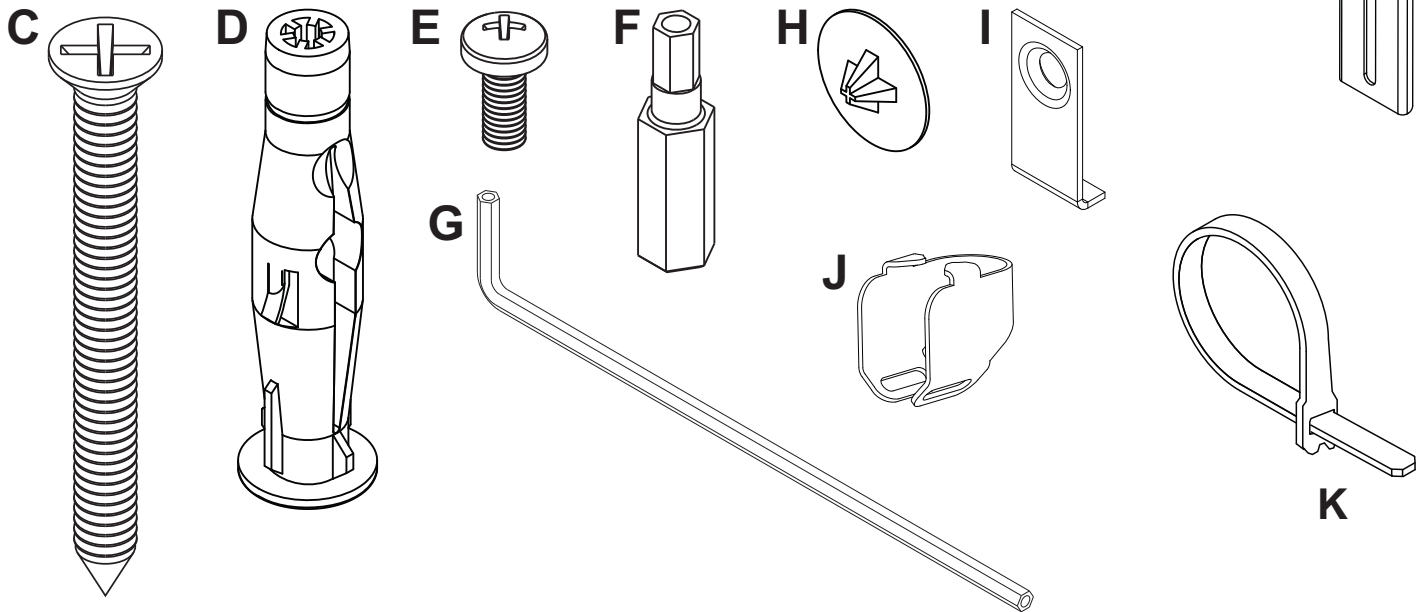
Parts List.....	3
Wall installation.....	4, 5
Installing Adapter Brackets to Display	6
Mounting Flat Panel Display	8


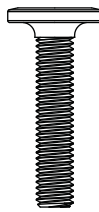
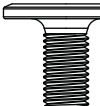

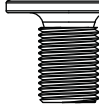
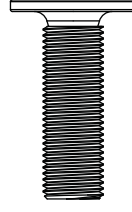
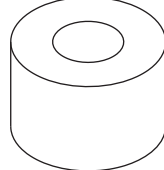

Before you begin, make sure all parts shown are included with your product.

Parts List		
Description	Qty.	Part #
A wall arm assembly	1	046-P1247
B adapter bracket	2	046-P1171
C wood screws	2	520-1202
D concrete anchors	2	590-0320
E M4 x 6 mm screw	2	520-1006
F security driver	1	560-1133
G 4 mm allen wrench	1	560-9646
H fastener cap	2	590-1324
I cable anchor	1	046-P1134
J cable clip	1	046-P1138
K cable tie	2	046-0136



Parts may appear slightly different than illustrated.



Adapter Bracket Fasteners				
				
M5 x 12 mm (4) (560-1732)	M5 x 25 mm (4) (560-1733)	M6 x 12 mm (4) (560-1734)	M6 x 25 mm (4) (560-1735)	M8 x 12 mm (4) (560-1736)
				
M8 x 25 mm (4) (560-1737)	.75" spacer (4) (540-1059)			.04" washer (4) (540-9478)

Installation to Single Wood Stud Wall

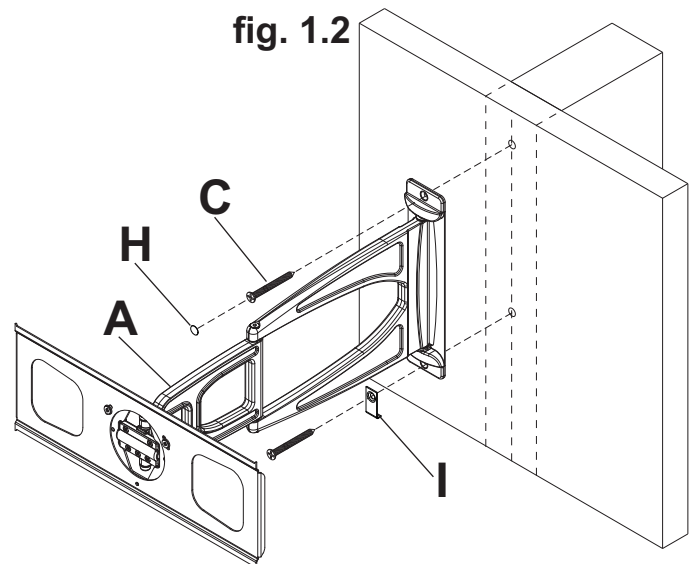
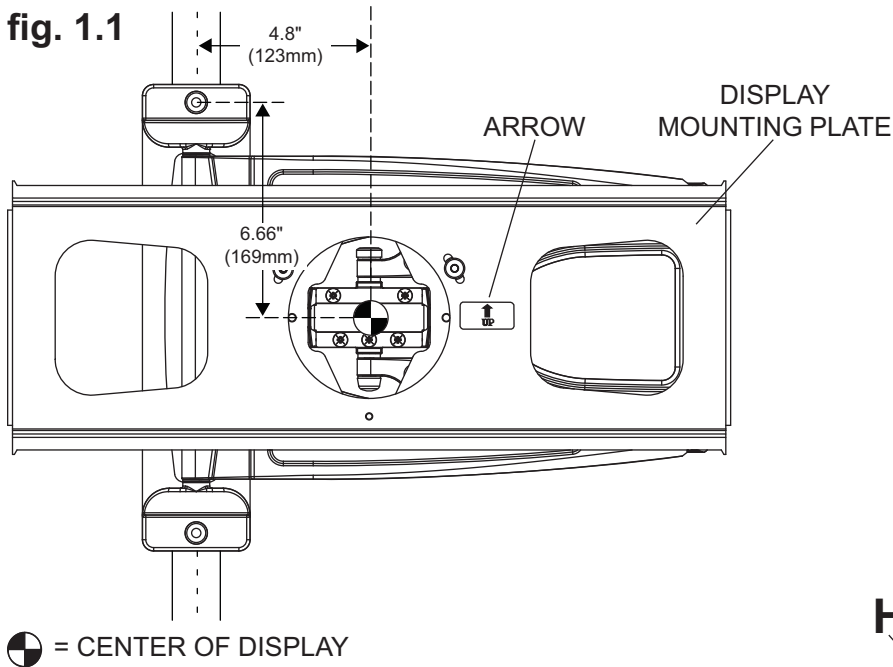
⚠ WARNING

- Installer must verify that the supporting surface will safely support the combined load of the equipment and all attached hardware and components.
- Tighten wood screws so that wall plate is firmly attached, but do not overtighten. Overtightening can damage the screws, greatly reducing their holding power.
- Never tighten in excess of 80 in. • lb (9 N.M.).
- Make sure that mounting screws are anchored into the center of the stud. The use of an "edge to edge" stud finder is highly recommended.
- Hardware provided is for attachment of mount through standard thickness drywall or plaster into wood studs. Installers are responsible to provide hardware for other types of mounting situations (not evaluated by UL).

1 Use a stud finder to locate the edges of the stud. Use of an edge-to-edge stud finder is highly recommended. Based on their edges, draw a vertical line down the stud's center. Measure 4.8" (122 mm) left or right from stud's center to determine center of display mounting plate. Place wall arm (A) on wall as template, level, and mark the center of two mounting holes. Top mounting hole will be 6.66" above the center of display mounting plate as shown in figure 1.1.

Drill two 5/32" dia. holes to a minimum depth of 2.5". Secure wall arm (A) to wall with two wood screws (C) as shown in figure 1.2. For cable management option, install cable anchor (I) to bottom mounting hole with wood screw (C). **NOTE:** Be sure arrow is pointing up when mounting wall arm (A) to wall as shown in figure 1.1. Level, then tighten all fasteners.

Insert two fastener caps (H) into wall plate mounting holes.

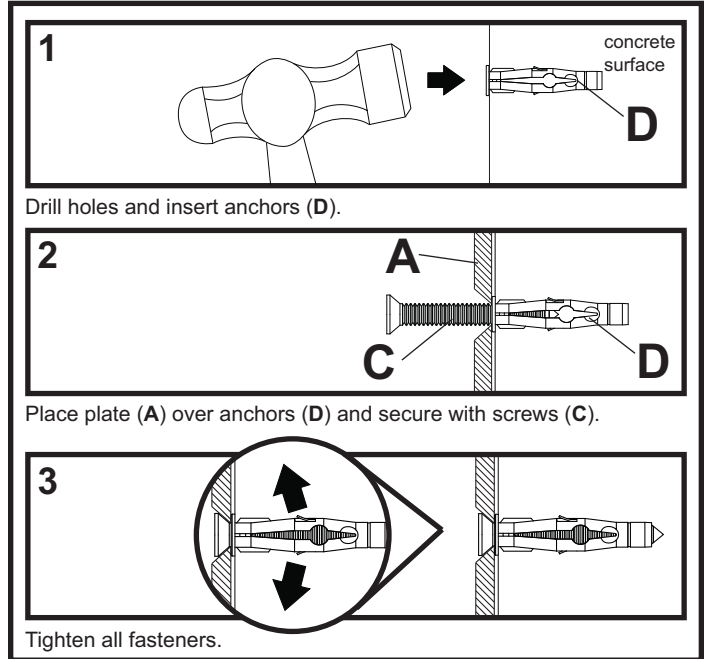


Installation to Solid Concrete or Cinder Block

⚠ WARNING

- When installing Peerless wall mounts on cinder block, verify that you have a minimum of 1-3/8" (35 mm) of actual concrete thickness in the hole to be used for the concrete anchors. Do not drill into mortar joints! Be sure to mount in a solid part of the block, generally 1" (25 mm) minimum from the side of the block. Cinder block must meet ASTM C-90 specifications. It is suggested that a standard electric drill on slow setting is used to drill the hole instead of a hammer drill to avoid breaking out the back of the hole when entering a void or cavity.
- Concrete must be 2000 psi density minimum. Lighter density concrete may not hold concrete anchor.
- Make sure that the supporting surface will safely support the combined load of the equipment and all attached hardware and components.

- 1** Place wall arm (A) on wall as template, level, and mark the center of two mounting holes. Top mounting hole will be 6.66" above the center of display mounting plate as shown in figure 1.1 on page 4. Drill two 5/16" dia. holes to a minimum depth of 2.5". Insert anchors (D) into holes flush with wall as shown. Secure wall arm (A) to wall with two wood screws (C) as shown in figure 1.3. For cable management option, install cable anchor (I) to bottom mounting hole with wood screw (C).
NOTE: Be sure arrow is pointing up when mounting wall arm assembly (A) to wall as shown in figure 1.1. Level, then tighten all fasteners.
 Insert two fastener caps (H) into wall plate mounting holes.



⚠ WARNING

- Tighten screws so that wall plate is firmly attached, but do not overtighten. Overtightening can damage screws, greatly reducing their holding power.
- Never tighten in excess of 80 in. • lb (9 N.M.).
- Always attach concrete expansion anchors directly to load-bearing concrete.
- Never attach concrete expansion anchors to concrete covered with plaster, drywall, or other finishing material. If mounting to concrete surfaces covered with a finishing surface is unavoidable (not evaluated by UL), the finishing surface must be counterbored as shown below. Be sure concrete anchors do not pull away from concrete when tightening screws. If plaster/drywall is thicker than 5/8" (16 mm), custom fasteners must be supplied by installer (not evaluated by UL).

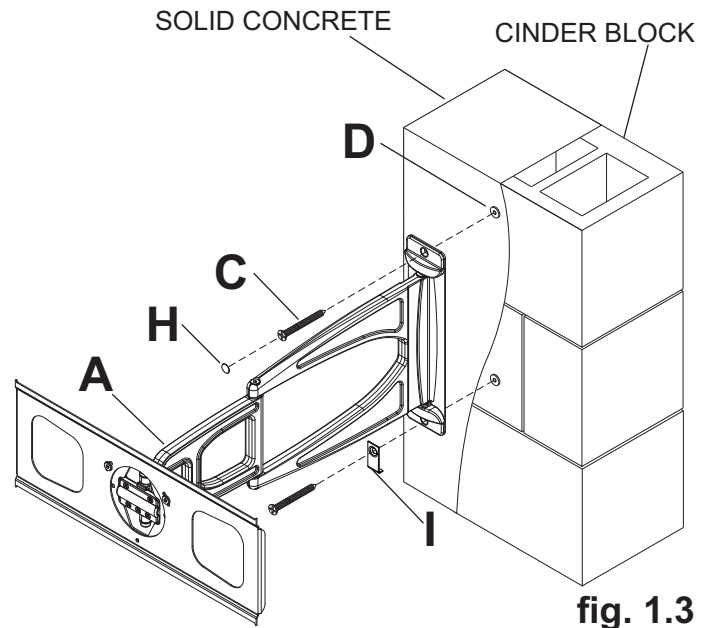
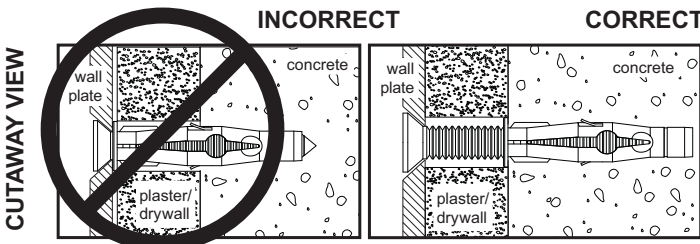


fig. 1.3

Installing Adapter Brackets to Display

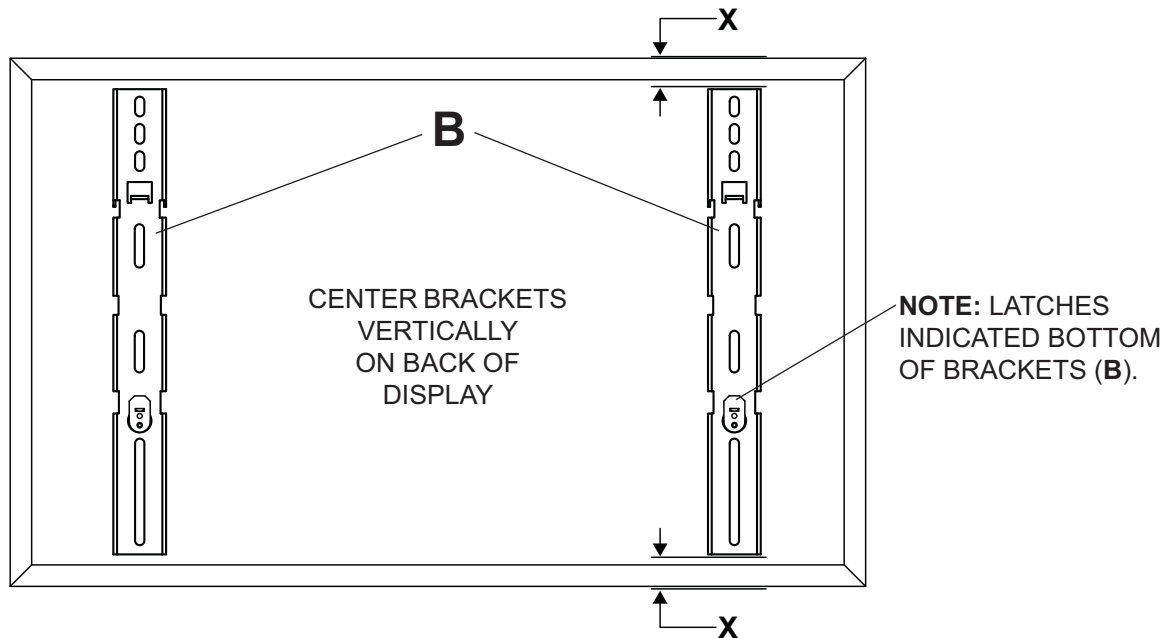
⚠ WARNING

- Tighten screws so display brackets are firmly attached to display. Do not tighten with excessive force. Overtightening can cause stress damage to screws, greatly reducing their holding power and possibly causing screw heads to become detached. Tighten to 40 in. • lb (4.5 N.M.) maximum torque.
- If screws don't get three complete turns in the display inserts or if screws bottom out and bracket is still not tightly secured, damage may occur to display or product may fail.

2 To prevent scratching the display, set a cloth on a flat, level surface that will support the weight of the display. Place display face side down. If display has obstructions on the back, remove them to allow the adapter brackets to be attached. Place adapter brackets (**B**) on back of display, align to holes, and center vertically on back of display as shown below. Attach the adapter brackets to the back of the display using the appropriate combination of screws, washers, and spacers, if required, as shown in steps 2-1 or 2-2.

NOTE: Top and bottom holes must always be used.

Verify that all holes are properly aligned, and then tighten screws using allen wrench (**G**).



NOTE: "X" dimensions should be equal.

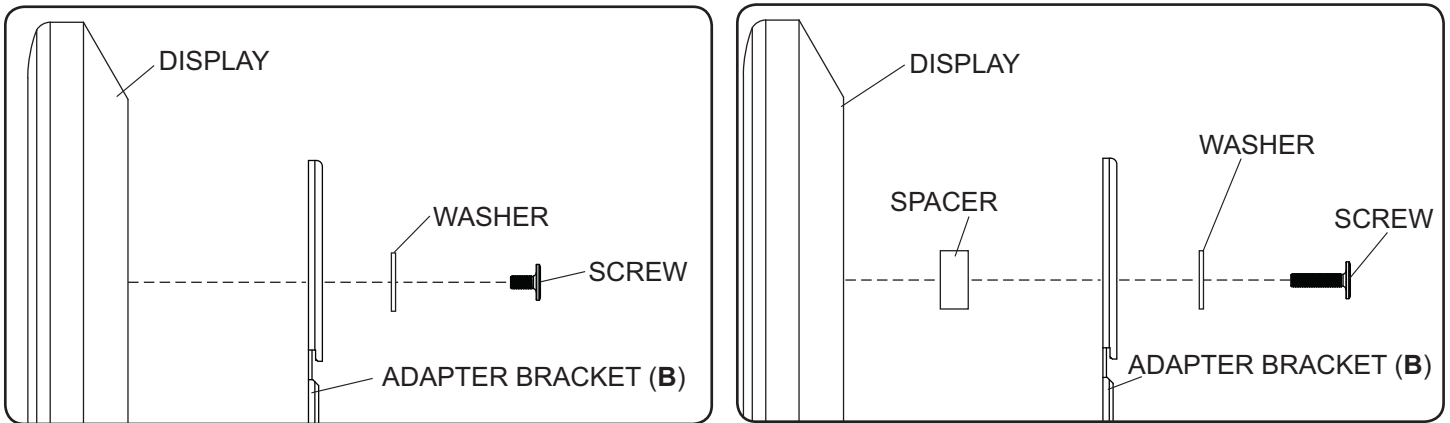
NOTE: For flat back displays proceed to step 2-1. For bump-out or recessed back display skip to step 2-2.

For Flat Back Display

2-1 Begin with the shortest length screw, hand thread through washer, adapter bracket and spacer, if required, into display as shown below. If screw cannot make three full turns into the display and fit snug into place, select a longer length screw from the baffled fastener pack. Repeat for remaining mounting holes, level brackets and tighten screws.

NOTE: Spacers may not be used, depending upon the type of display.

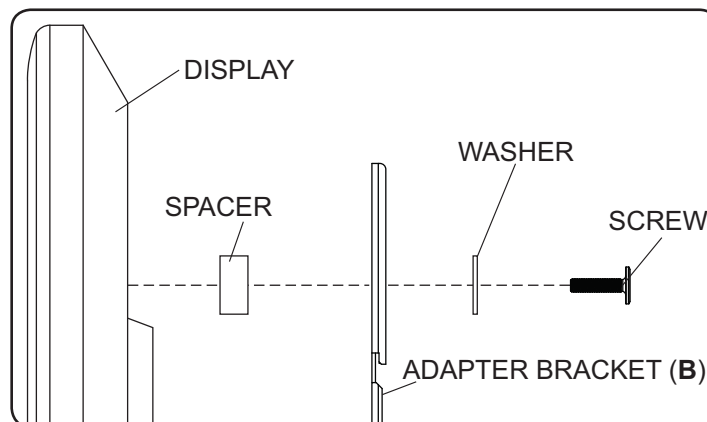
NOTE: If display manufacturer's requirements state that more than 1.27" of ventilation is required, spacers may be used to add an additional 0.75" of space between the wall and the display as shown below.



If you have any questions, please call Peerless customer care at **1-800-865-2112**.

For Bump-out or Recessed Back Display

2-2 Begin with the shortest length screw, hand thread through washer, adapter bracket and spacer, if required, into display as shown below. If screw cannot make three full turns into the display and fit snug into place, select a longer length screw from the baffled fastener pack. Repeat for remaining mounting holes, level brackets and tighten screws.



If you have any questions, please call Peerless customer care at **1-800-865-2112**.

Mounting and Removing Flat Panel Display

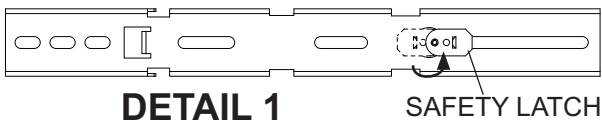
⚠ WARNING

- Always use an assistant or mechanical lifting equipment to safely lift and position the flat panel displays.
- Be careful not to pinch fingers when opening and closing mount from the wall.
- DO NOT operate or tilt arm assembly when safety latches are in unlocked position. Product may fail and may cause injury or damage to display.
- Do not tighten safety/security screw (E) with excessive force. Overtightening can cause screw head to become damaged making it difficult to remove. Tighten screws to 15 in•lb (1.7 N.M.) maximum torque.

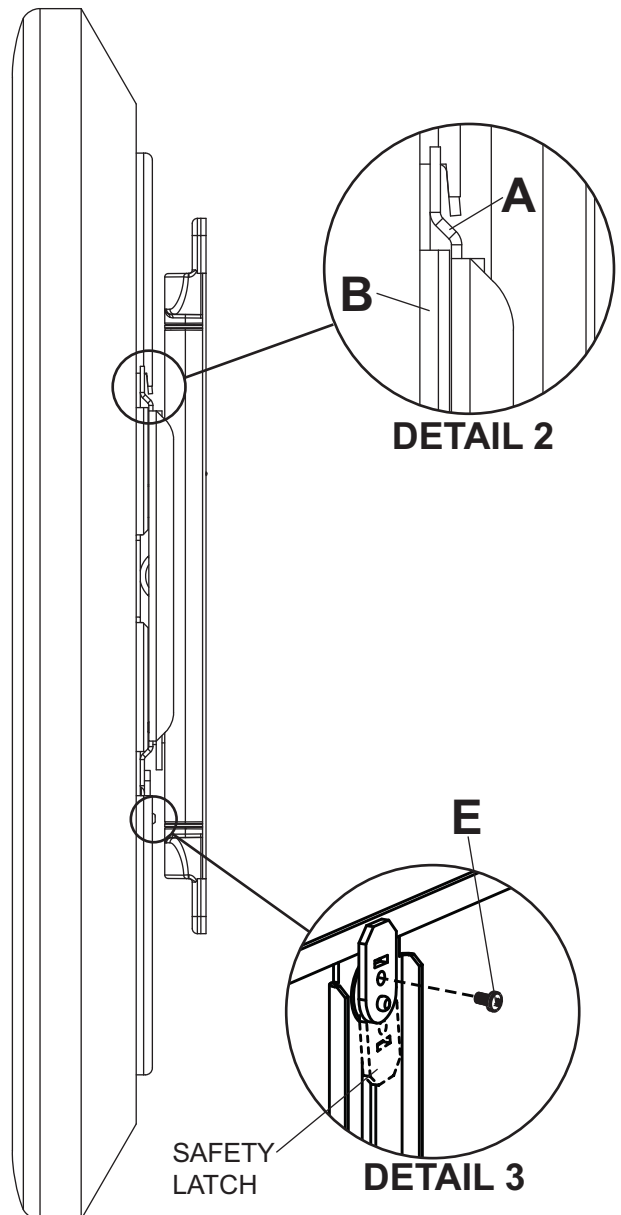
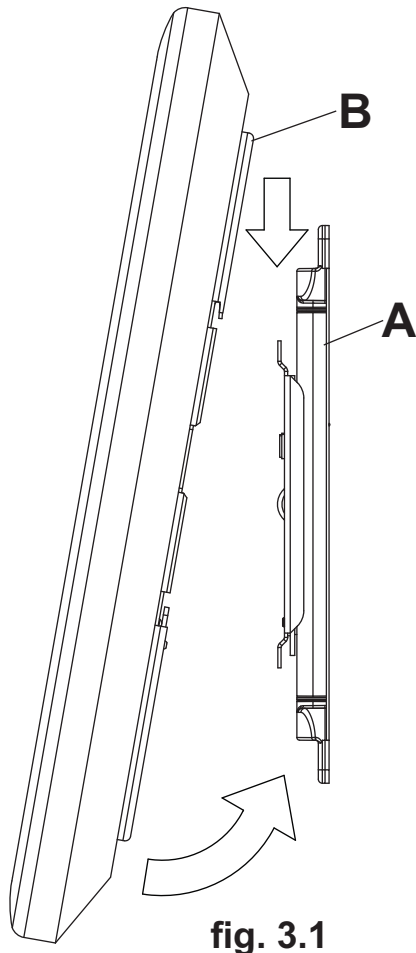
3 Wall arm assembly (A) must be in closed position to hang display.

Rotate safety latch with flathead screwdriver into unlocked position as shown in detail 1.

Rotate safety latch with flathead screwdriver and install safety/security screw (E) through safety latch into adapter bracket with phillips screwdriver to lock to adapter plate as shown in detail 2 and detail 3.



Hook adapter brackets (B) onto the center of wall arm assembly (A) adapter plate as shown in figure 3.1.

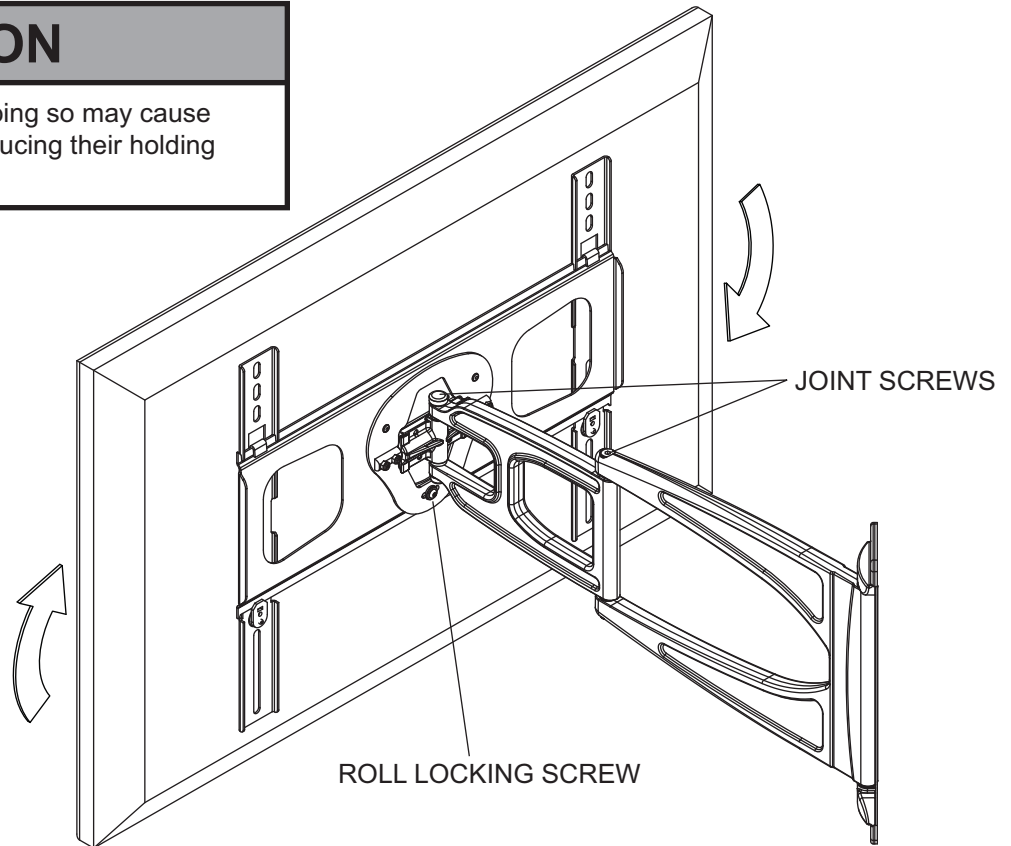


Roll Adjustment

- 4** Adapter plate may be rolled +/- 5°. Roll locking screw may be tightened or loosened using 4 mm allen wrench (**G**).
NOTE: Do not remove roll locking screw.

CAUTION

- Do not tighten joint screws. Doing so may cause damage to screws, greatly reducing their holding power.



Cable Management

- 5** Cables may be routed using cable clip (**J**).
Slip cable clip (**J**) onto bottom of center joint as shown in figure 5.1 and secure cables to cable clip using cable tie (**K**) as shown in figure 5.2.
Secure cables to cable anchor (**I**) using cable tie (**K**) as shown below.

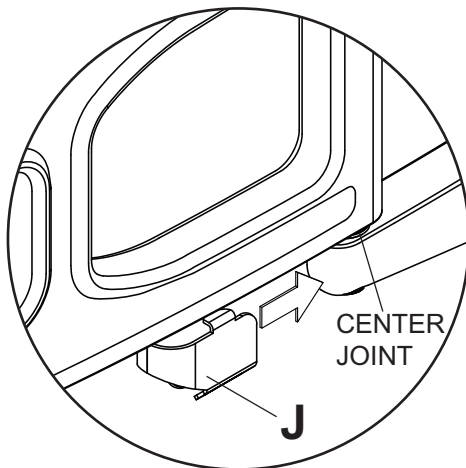


fig. 5.1

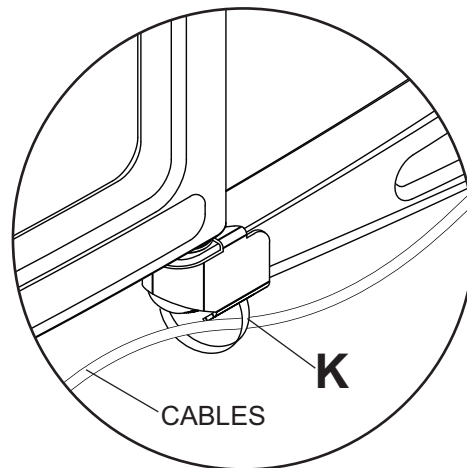
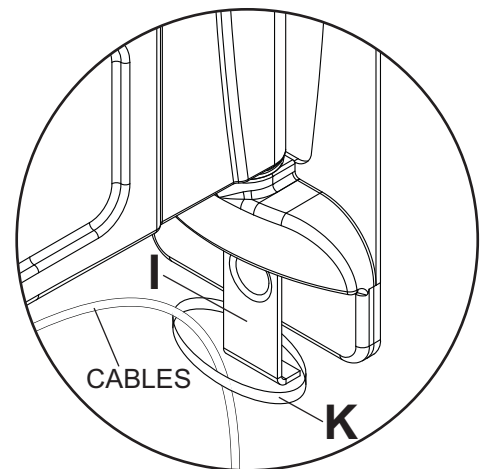


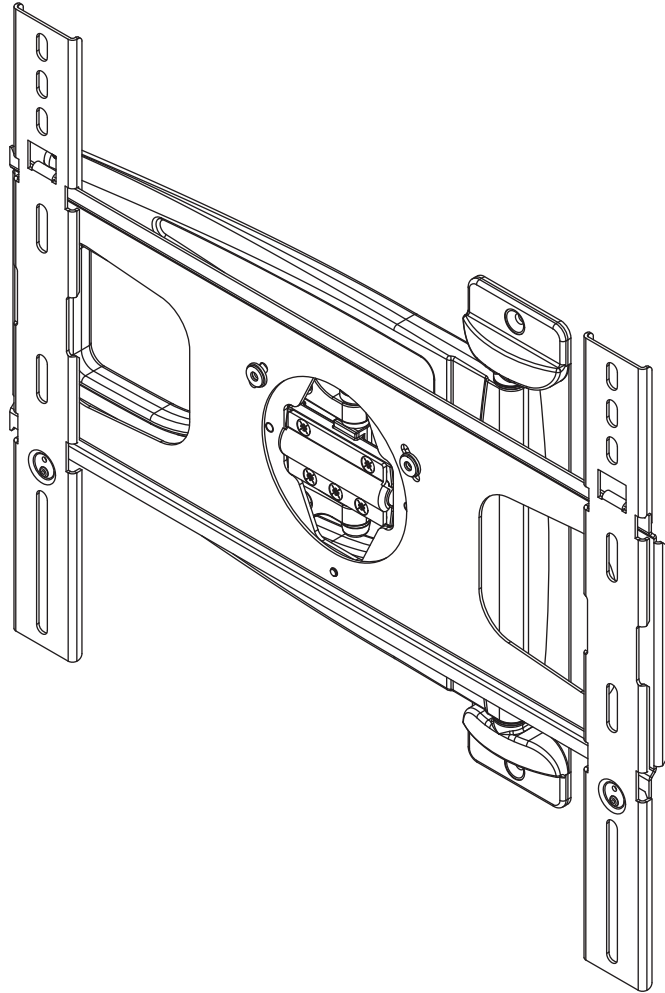
fig. 5.2





Instalación y ensamblaje: Soporte Articulador Peerless Ultra-Thin Para Pantallas Planas de 32" a 46"*

Modelo: SUA746PU



* Requisitos para la compatibilidad de las pantallas

- La profundidad de la pantalla tiene que ser menos de 2".
- Es posible que la profundidad del soporte (1.27") no proporcione suficiente espacio para la ventilación adecuada de algunas pantallas. Por favor, repase los requisitos del fabricante en relación con la instalación de la pantalla antes de proceder.
- La pantalla tiene que tener una superficie plana para la instalación o tiene que tener los agujeros de montaje en la superficie trasera más alejada de la pantalla.
- La conexión de entrada / salida tiene que tener la orientación adecuada para acomodar una instalación a 1.27" de la pared.



Máxima capacidad de carga para UL:
60 lb (27.2 kg)

NOTA: Lea la hoja de instrucciones completa antes de comenzar la instalación y el ensamblaje.

⚠ **ADVERTENCIA**

- No comience a instalar su producto de Peerless hasta haber leído y entendido las instrucciones y las advertencias contenidas en la Hoja de Instalación. Si tiene alguna pregunta acerca de cualquiera de las instrucciones o las advertencias, por favor, llame a Servicio al Cliente de Peerless al 1-800-865-2112 si está en EE. UU. Si es un cliente internacional, por favor, comuníquese con su distribuidor local.
- Este soporte está diseñado para sostener la pantalla a 1.27" de la pared. Por favor, repase las recomendaciones del manual de instalación del fabricante con respecto a la distancia necesaria de la pared para evitar el riesgo de sufrir lesiones o causar daños a la propiedad.
- Este producto sólo debe ser instalado por una persona que tenga una buena aptitud mecánica, que tenga experiencia en construcción básica de edificios y que entienda estas instrucciones en su totalidad.
- Asegúrese de que la superficie de apoyo sostendrá, con seguridad, la carga combinada del equipo y todos los fijadores y componentes.
- Nunca sobrepase la capacidad máxima de soportar carga para Underwriters Laboratories. Vea la página 10.
- Si va a instalar el producto en una pared con montantes de madera, asegúrese de que los tornillos de montaje estén anclados en el centro de los montantes. Se recomienda utilizar un localizador de montantes de "borde a borde".
- Siempre cuente con la ayuda de un asistente o utilice un equipo mecánico de izar para levantar y colocar el equipo con más seguridad.
- Apriete los tornillos con firmeza, pero no en exceso. Apretarlos en exceso puede dañar los artículos y puede disminuir significativamente su fuerza de fijación.
- Este producto está diseñado para uso en interiores solamente. Utilizar este producto en exteriores podría causar fallas del producto y lesiones a individuos.
- Este producto fue diseñado para ser instalado en paredes con la siguiente construcción solamente:

CONSTRUCCIÓN DE LA PARED

- Montante de madera
- Viga de madera
- Concreto macizo
- Bloque de hormigón de escorias
- Montante de metal
- Ladrillo
- ¿Otra superficie o no está seguro?

ACCESORIOS NECESARIOS

- Incluido
- Incluido
- Incluido
- Incluido
- Comuníquese con un profesional calificado (no evaluados por UL)
- Comuníquese con un profesional calificado (no evaluados por UL)
- Comuníquese con un profesional calificado

Herramientas necesarias para el ensamblaje

- localizador de montantes (se recomienda uno de "borde a borde")
- destornillador phillips
- taladro
- broca de 5/16" (8 mm) para paredes de concreto y de bloque de hormigón de escorias
- broca de 5/32" (4 mm) para paredes con montantes de madera
- nivel

Contenido

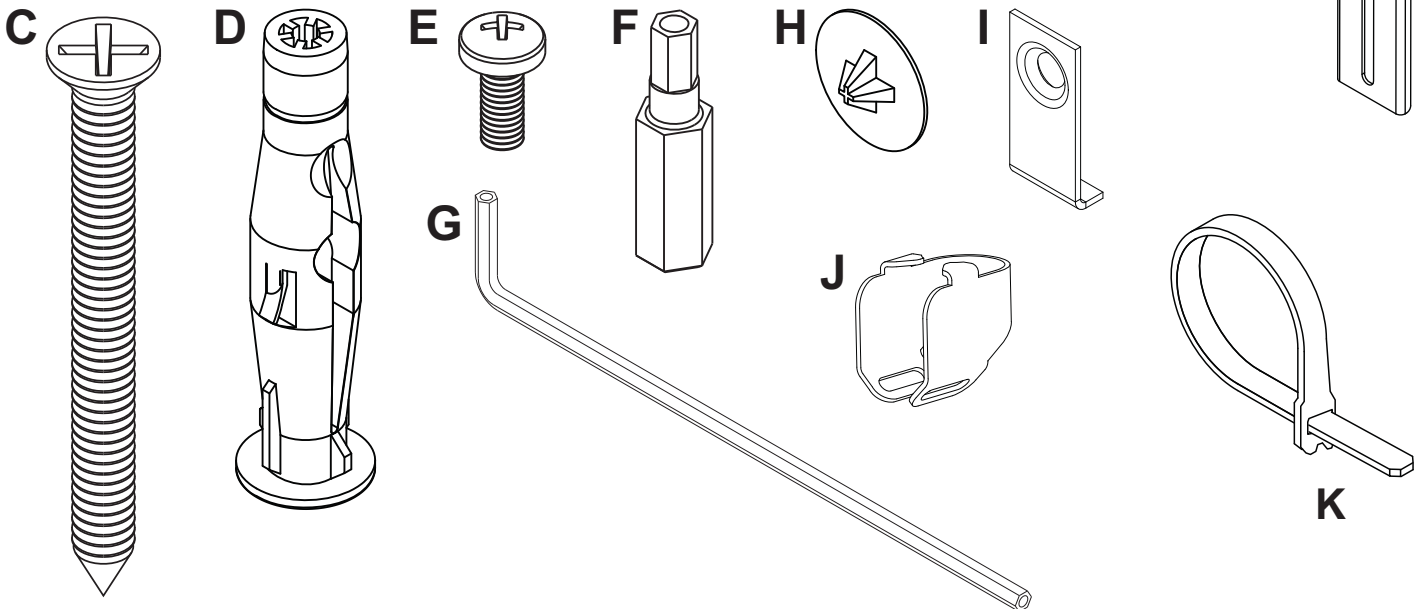
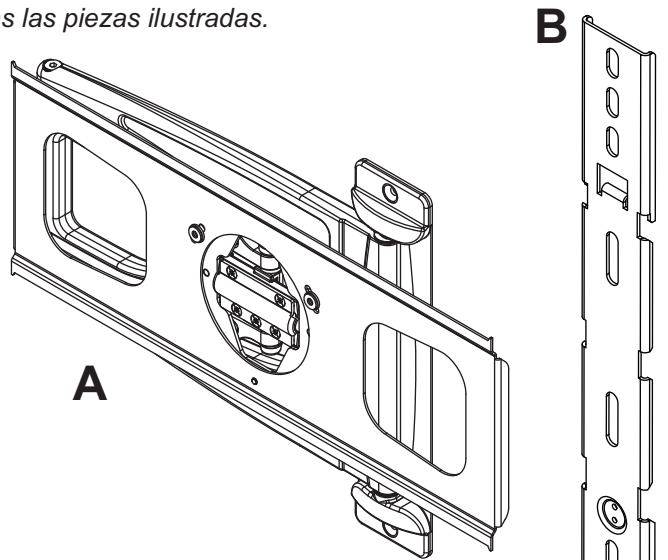
Lista de piezas.....	12
Instalación en una pared	13, 14
Instalación de los soportes adaptadores.....	15
Instalación y desinstalación de la pantalla plana	17

Antes de comenzar, asegúrese de que su producto incluye todas las piezas ilustradas.

Lista de piezas

Descripción	Cant.	Nº de pieza
A armazón del brazo de pared	1	046-P1247
B soporte adaptador	2	046-P1171
C tornillo para madera	2	520-1202
D anclaje para concreto	2	590-0320
E tornillo M4 x 6 mm	2	520-1006
F llave de seguridad	1	560-1133
G llave allen de 4 mm	1	560-9646
H cubierta para sujetadores	2	590-1324
I anclaje para cables	1	046-P1134
J clip para cables	1	046-P1138
K sujetacables	2	046-0136

Algunas partes pueden diferir un poco de las ilustradas.



Fijaciones para los soportes adaptadores

M5 x 12 mm (4)
(560-1732)

M5 x 25 mm (4)
(560-1733)

M6 x 12 mm (4)
(560-1734)

M6 x 25 mm (4)
(560-1735)

M8 x 12 mm (4)
(560-1736)

M8 x 25 mm (4)
(560-1737)

.75" espaciador (4)
(540-1059)

.04" arandela (4)
(540-9478)

Instalación en una pared con montantes de madera

⚠ ADVERTENCIA

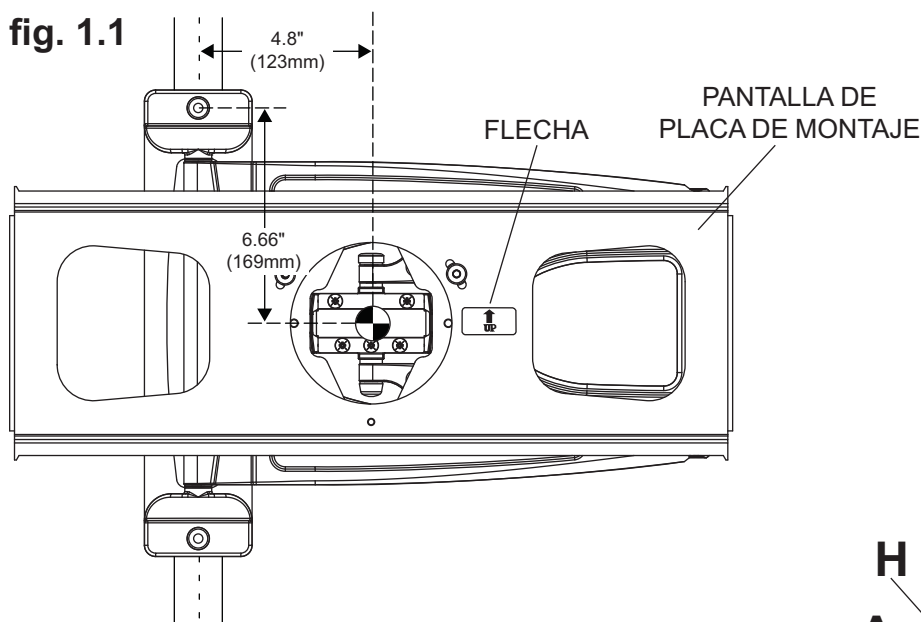
- El instalador debe verificar que la superficie de apoyo sea capaz de soportar firmemente la carga combinada del equipo y todos los herrajes y componentes.
- Apriete los tornillos para madera de tal modo que la placa de apoyo quede firmemente sujeta, pero no apriete en exceso. El apriete excesivo puede dañar los tornillos, reduciendo enormemente su fuerza de fijación.
- Nunca apriete más de 80 pulg-lb (9 N•m).
- Asegúrese de que los tornillos de montaje queden bien fijos en el centro del montante. Se recomienda usar un localizador de montantes de "borde a borde".
- Los herrajes suministrados son para fijar el soporte a través de tabique de yeso-cartón o yeso de espesor estándar a los montantes de madera. Los instaladores son responsables de suministrar los herrajes para otros tipos de situaciones de montaje (no evaluados por UL).

1 Utilice un localizador de montantes para localizar los bordes del montante. Se recomienda utilizar un localizador de montantes de "borde a borde". Tomando los bordes del montante como punto de referencia, trace una línea vertical por el centro del montante. Medida 4.8" (122 mm) a la izquierda oa la derecha del centro de la viga para determinar centro de la pantalla placa de montaje. Coloque la pared de brazo (A) contra la pared para utilizarla como plantilla, nivele, y marcar el centro de dos agujeros de montaje. La ranura de montaje superior debe estar ubicada a 6.66" (169 mm) encima del centro de pantalla de placa de montaje, como se muestra en la figura 1.1.

Taladre dos agujeros de 5/32" (4 mm) de diámetro a una profundidad de 2.5" (64 mm). Asegurar el brazo de pared (A) a la pared con dos tornillos para madera (C) como se muestra en la figura 1.2. Para contar con la opción para el manejo de cables, instale el anclaje para cables (I) en agujero de montaje inferior con un tornillo para madera (C). **NOTA:** Asegúrese de que la flecha de etiqueta mire hacia arriba cuando instale el pared de brazo (A) en la pared, como se muestra en la figura 1.1. Nivele y apriete todos los sujetadores.

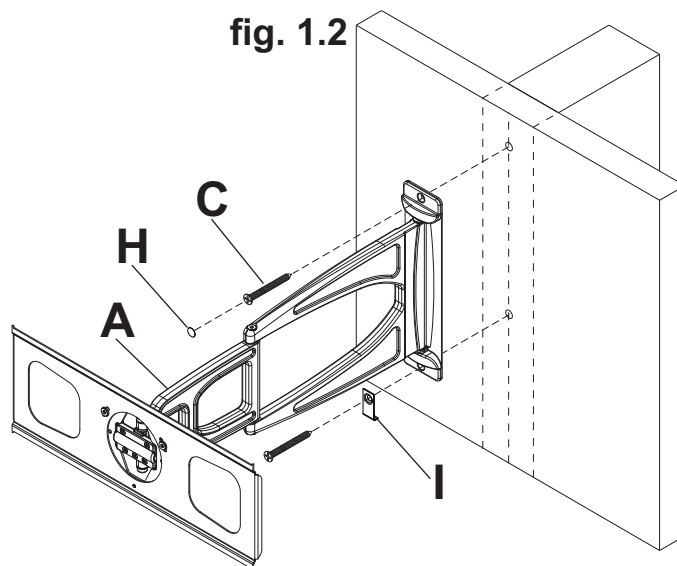
Inserte dos cubiertas para sujetadores (H) en los agujeros de montaje.

fig. 1.1



⊕ = CENTRO DE LA PANTALLA

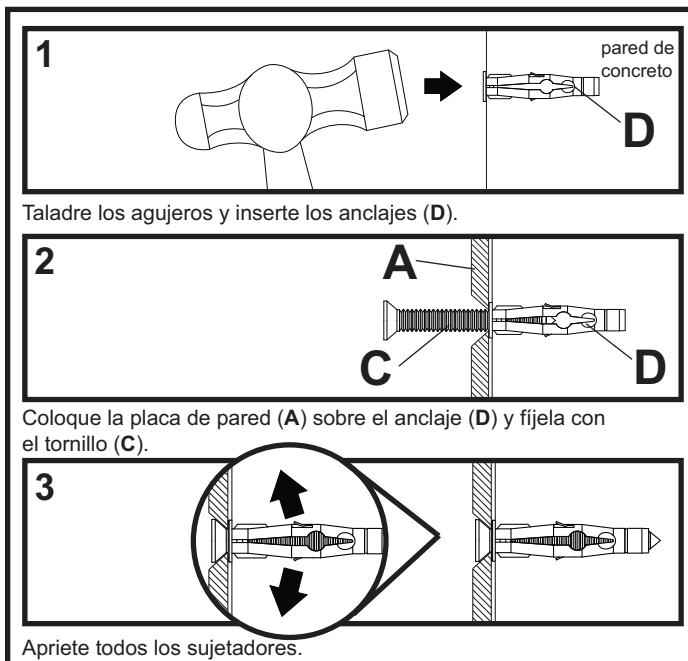
fig. 1.2



▲ ADVERTENCIA

- Cuando instale soportes de pared Peerless en bloques de hormigón de escorias, verifique que tengan un mínimo de 1-3/8" (35 mm) de superficie efectiva de concreto en el agujero que va a utilizar para los anclajes de concreto. ¡No perforo en las juntas de mortero! Asegúrese de instalar el soporte en una parte sólida del bloque, generalmente a un mínimo de 1" (25 mm) del costado del bloque. El bloque de hormigón de escorias debe ser de conformidad con las especificaciones C-90 de ASTM. Se sugiere taladrar el agujero con un taladro eléctrico normal en velocidad lenta en vez de un taladro percutor para evitar romper la parte trasera del agujero al entrar en un espacio o cavidad.
- El concreto debe tener una densidad mínima de 2000 psi. Un concreto menos denso podría no ser capaz de sujetar el anclaje para concreto.
- El instalador debe verificar que la superficie de apoyo sea capaz de soportar firmemente la carga combinada del equipo y todos los herrajes y componentes.

1 Asegúrese de que el armazón del brazo de pared (A) esté nivelado y utilice la placa de pared como plantilla para marcar cuatro agujeros de montaje. Las ranuras de montaje superiores deben estar ubicadas a 6.66" (169 mm) encima del punto donde quiere que quede el centro de la pantalla, como se muestra en la figura 1.1 en la página 13. Taladre dos agujeros de 5/16" (8 mm) de diámetro a una profundidad mínima de 2.5" (64 mm). Inserte los anclajes (D) en los agujeros a ras con la pared, como se muestra. Asegurar el brazo de pared (A) a la pared con dos tornillos para madera (C) como se muestra en la figura 1.3. Para contar con la opción para el manejo de cables, instale el anclaje para cables (I) en agujero de montaje inferior con un tornillo para madera (C). **NOTA:** Asegúrese de que la flecha de etiqueta mire hacia arriba cuando instale el pared de brazo (A) en la pared, como se muestra en la figura 1.1. Nivele y apriete todos los sujetadores. Inserte dos cubiertas para



▲ ADVERTENCIA

- Apriete los tornillos de tal modo que la placa de apoyo quede firmemente sujeta, pero no los apriete en exceso. El apriete excesivo puede dañar los tornillos, reduciendo enormemente su fuerza de fijación.
- Nunca apriete más de 80 pulg-lb (9 N•m).
- Siempre fije los anclajes de expansión directamente al concreto que soporta carga.
- Nunca fije los anclajes de expansión a una pared de concreto recubierta con yeso, tabiques de yeso-cartón u otro material de acabado. Si el montaje a superficies de concreto recubiertas con una superficie de acabado es inevitable (no evaluados por UL), será necesario escariar el acabado, como se muestra más abajo. Asegúrese de que los anclajes de concreto no se alejen del concreto al apretar los tornillos. Si el grosor de la pared de yeso/tabique de yeso-cartón es mayor que 5/8" (16 mm), el instalador deberá suministrar fijaciones especiales (no evaluados por UL).

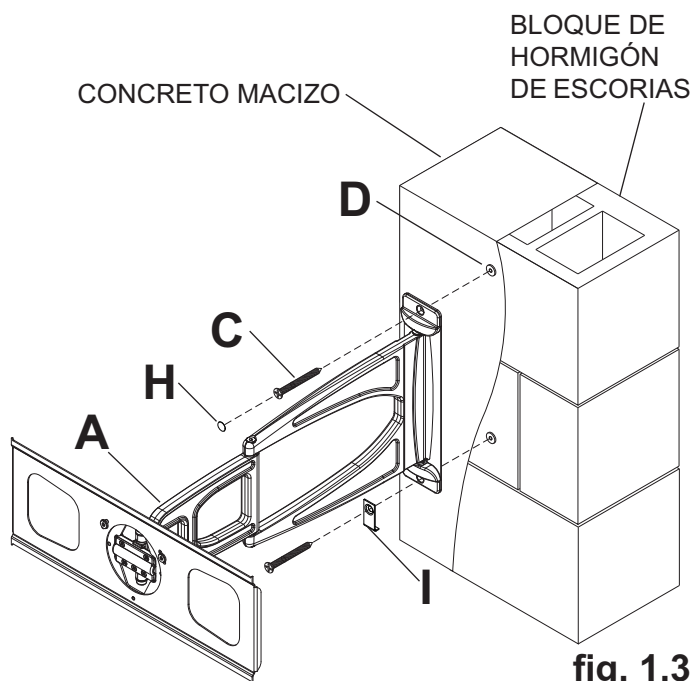
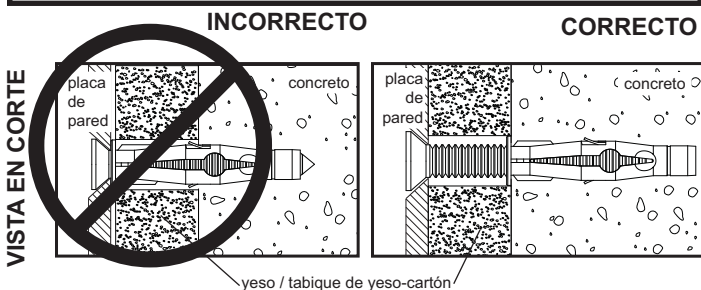


fig. 1.3

Instalación de los soportes adaptadores

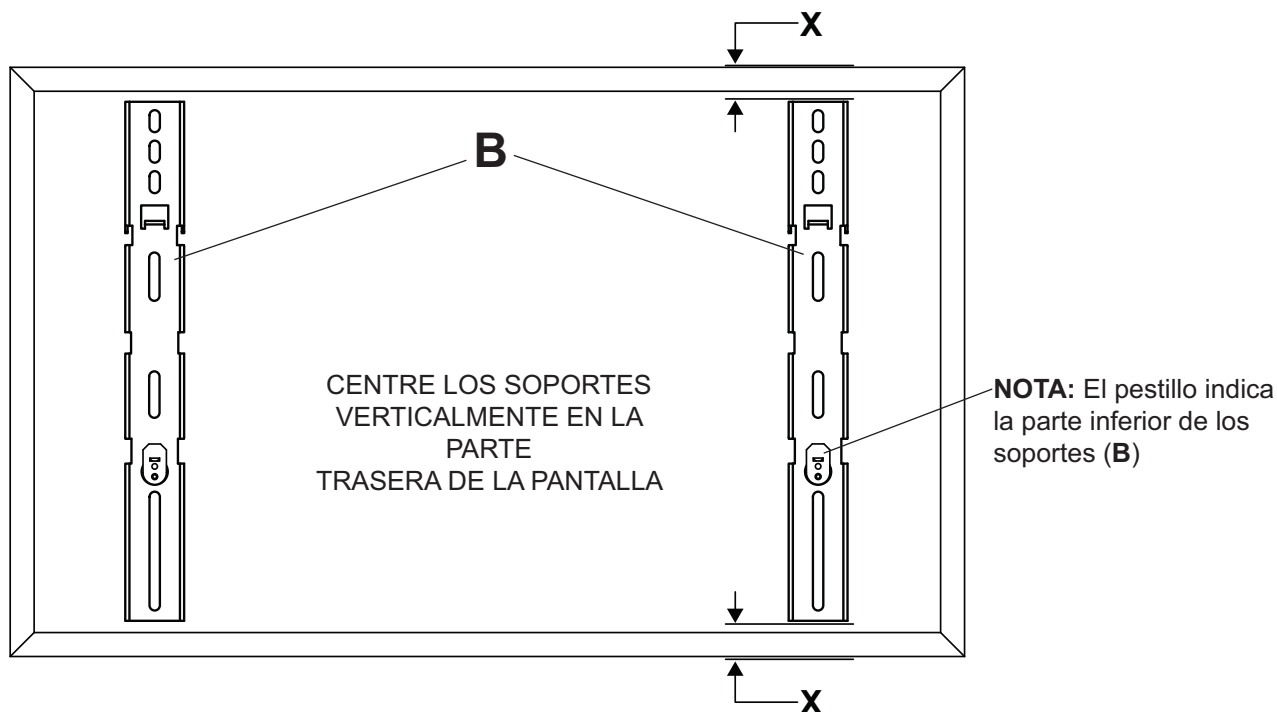
⚠ ADVERTENCIA

- Apriete los tornillos de tal modo que los soportes adaptadores queden firmemente sujetos. No apriete aplicando demasiada fuerza. El apriete excesivo puede causar daño por esfuerzo a los tornillos, reduciendo enormemente su fuerza de fijación y causando el posible desprendimiento de sus cabezas. Apriete los tornillos a 40 pulg-lb (4.5 N•m) de par torsor máximo.
- Si los tornillos no pueden atornillarse con tres vueltas completas en los insertos de la pantalla, o si los tornillos topan fondo y la placa todavía no está firmemente sujeta, se podría dañar la pantalla o causar la falla del producto.

- 2** Para no rayar la pantalla, coloque un trapo sobre una superficie plana y nivelada que sostenga el peso de la pantalla. Coloque la pantalla boca abajo. Si la pantalla tiene perillas en la parte trasera, quíteselas para poder fijar los soportes adaptadores. Coloque los soportes adaptadores (**B**) en la parte trasera de la pantalla, alinéelos con los agujeros y centralícelos en la parte trasera de la pantalla, como se muestra abajo. Fije los soportes adaptadores en la parte trasera de la pantalla utilizando la combinación adecuada de tornillos, arandelas y espaciadores, como se muestra en el paso 2-1 o en el paso 2-2.

NOTA: Siempre se tienen que usar los agujeros superiores y los inferiores.

Verifique que todos los agujeros estén debidamente alineados y luego apriete los tornillos usando un llave allen (**G**).



NOTA: LAS DIMENSIONES "X" DEBEN SER IGUALES.

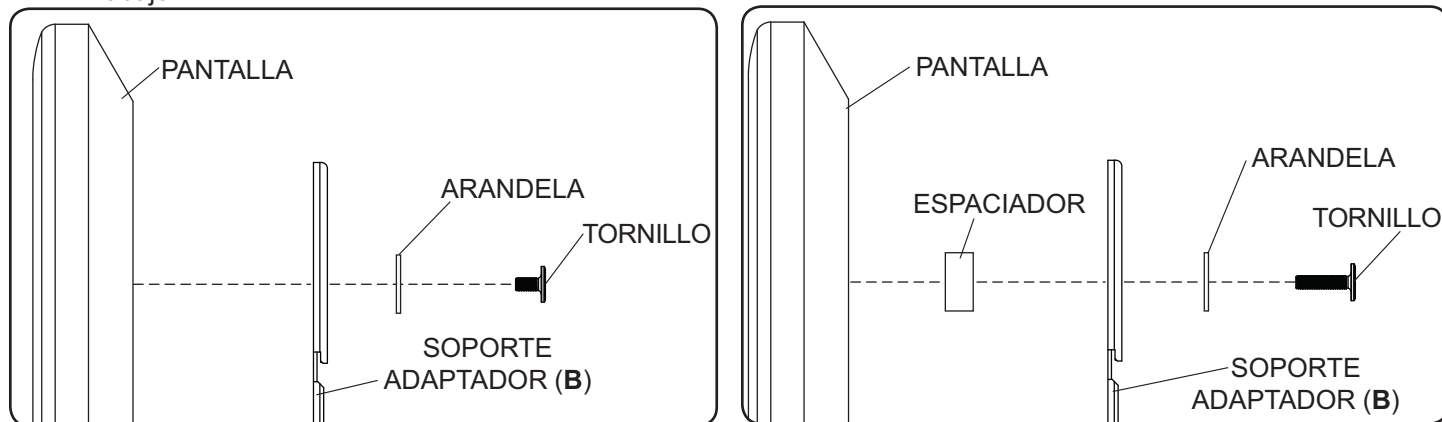
NOTA: En el caso de los televisores que tienen la parte posterior plana, pase al paso 2-1. En el caso de los televisores que tienen la parte posterior abultada o empotrada, pase al paso 2-2.

Instalación de un televisor que tiene la parte posterior plana

2-1 Comience con uno de los tornillos más cortos, enrósquelo, con la mano, a través de la arandela, el soporte adaptador y el espaciador, si lo necesita, a la parte posterior de la pantalla, como se muestra abajo. Si el tornillo no puede dar tres vueltas completas al entrar en la parte posterior de la pantalla y quedar ajustado en su lugar, seleccione un tornillo más largo de los sujetadores identificados y clasificados en las divisiones del empaque plástico. Siga el mismo procedimiento con los agujeros de instalación restantes, nivele los soportes y apriete los tornillos.

NOTA: Es posible que no necesite usar los espaciadores, dependiendo del tipo de pantalla.

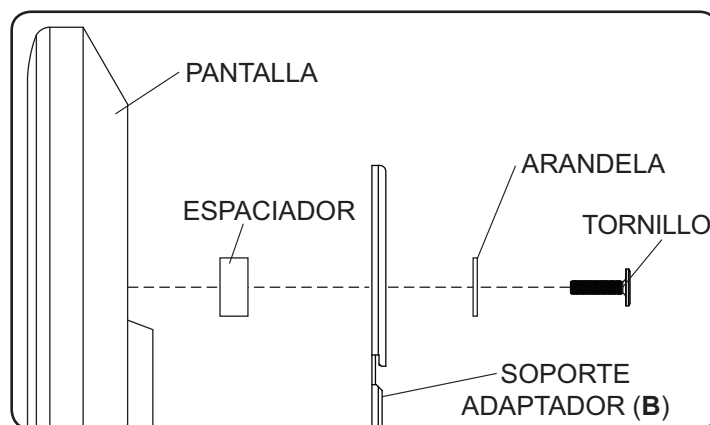
NOTA: Si los requisitos del fabricante de la pantalla indican que se necesitan más de 1.27" para la ventilación, puede utilizar espaciadores para añadir 0.75" más de espacio entre la pared y la pantalla, como se muestra abajo.



Si tiene alguna pregunta, por favor, llame a servicio al cliente de Peerless al **1-800-865-2112**.

Instalación de un televisor que tiene la parte posterior abultada o empotrada

2-2 Comience con uno de los tornillos más cortos, enrósquelo, con la mano, a través de la arandela, el soporte adaptador y el espaciador, si lo necesita, a la parte posterior de la pantalla, como se muestra abajo. Si el tornillo no puede dar tres vueltas completas al entrar en la parte posterior de la pantalla y quedar ajustado en su lugar, seleccione un tornillo más largo de los sujetadores identificados y clasificados en las divisiones del empaque plástico. Siga el mismo procedimiento con los agujeros de instalación restantes, nivele los soportes y apriete los tornillos.



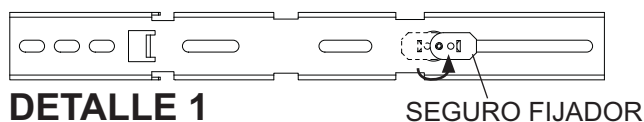
Si tiene alguna pregunta, por favor, llame a servicio al cliente de Peerless al **1-800-865-2112**.

Montaje y desmontaje de la pantalla plana

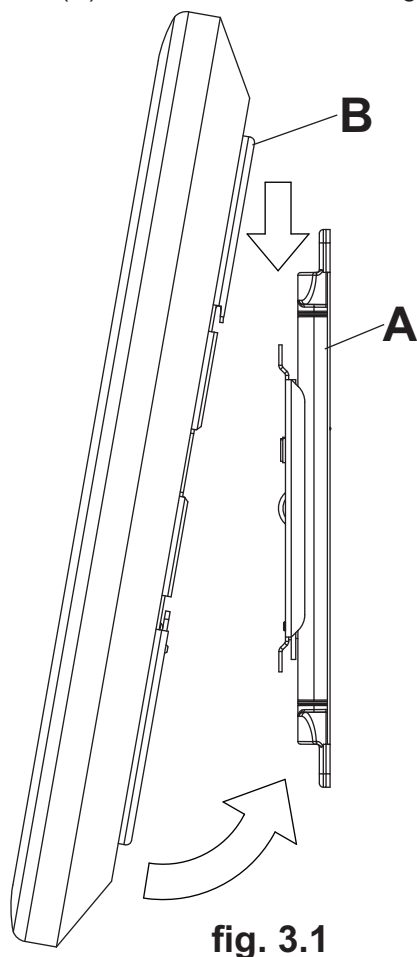
⚠ ADVERTENCIA

- Siempre solicite la ayuda de un asistente o utilice un equipo de izar mecánico para levantar y colocar el televisor de plasma con más seguridad.
- Tenga cuidado de no pincharse los dedos cuando extienda y recoja el soporte contra la pared.
- NO opere ni incline el armazón del brazo cuando los seguros fijadores estén en la posición abierta. El producto podría fallar y causar lesiones o daños a la pantalla.
- No apriete el tornillo de seguridad / de fijación (E) con fuerza excesiva. Apretarlo en exceso puede causar que se dañe la cabeza del tornillo, lo cual haría difícil poderlo quitar. Apriete los tornillos a un máximo de 15 pulg-lb (1.7 N•m) de par torsor.

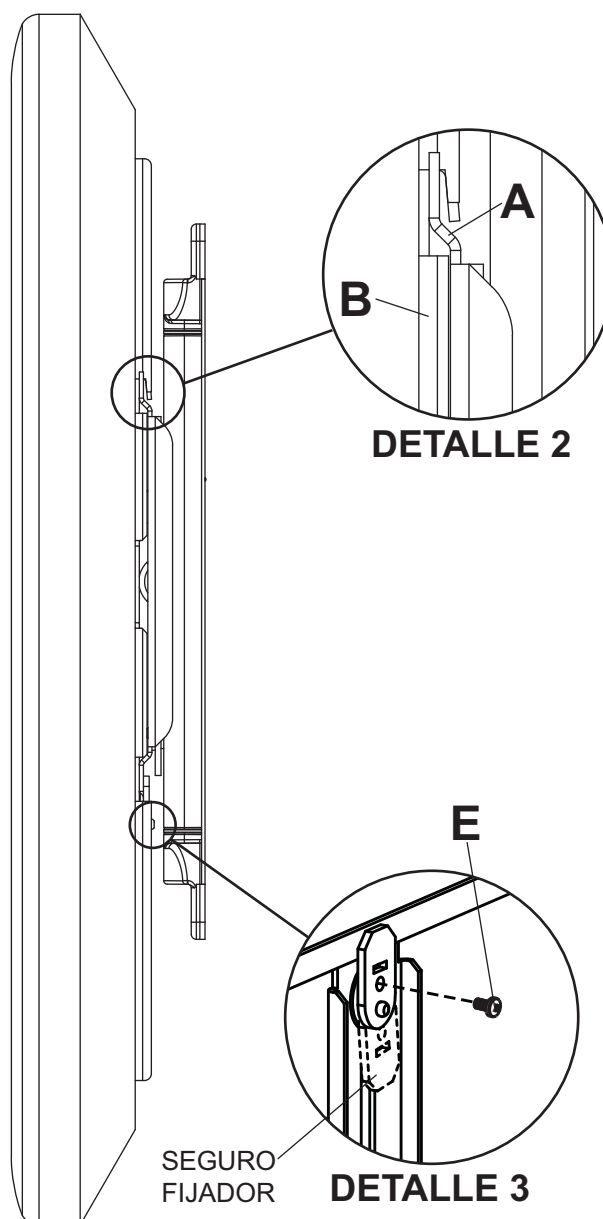
- 3** El armazón del brazo de pared (A) tiene que estar en la posición cerrada para enganchar la pantalla. Rote el seguro fijador hasta la posición abierta con un destornillador plano, como se muestra en el detalle 1.



Enganche los soportes adaptadores (B) en el centro de la placa adaptadora del armazón del brazo de pared (A), como se muestra en la figura 3.1.



Rote el seguro fijador con un destornillador plano y instale el tornillo de seguridad (E) de fijación a través del seguro fijador en el soporte adaptador con una destornillador phillips para trabar la placa adaptadora, como se muestra en el detalle 2 y el detalle 3.

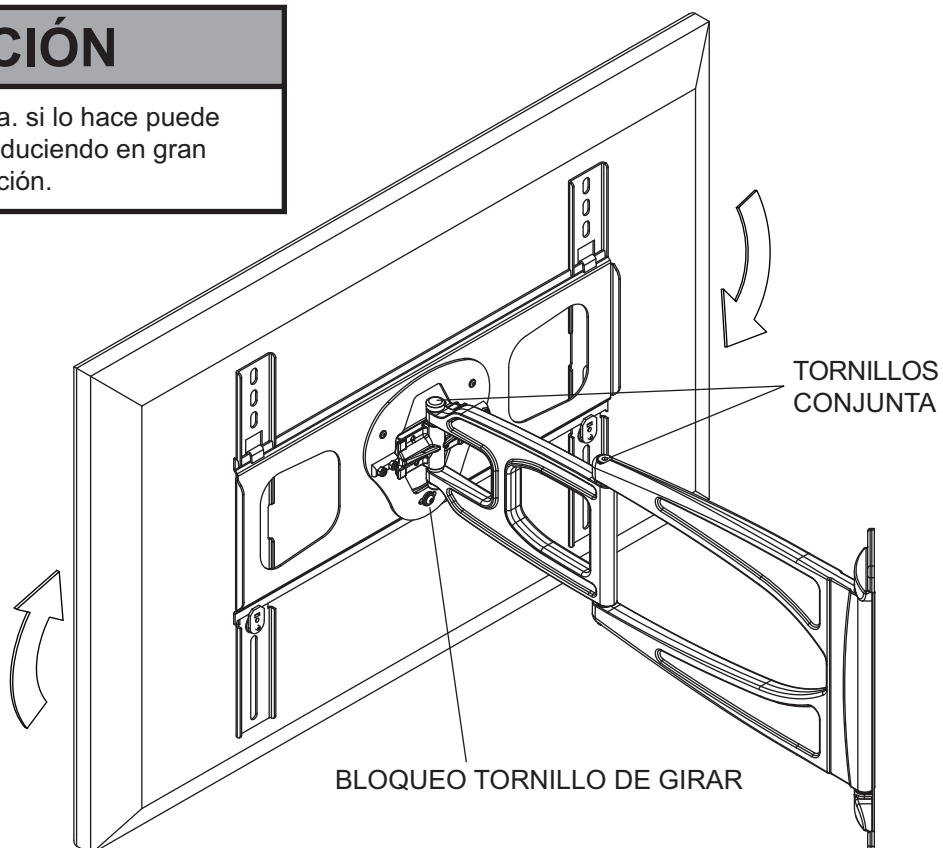


Ajuste de Girar

- 4** Placa de adaptación puede ser laminado en $+ / - 5^\circ$. Tornillo de rodillo de bloqueo puede ser apretar o aflojar con la llave Allen de 4 mm (G). **NOTA:** No retire el tornillo de fijación rollo.

PRECAUCIÓN

- No apriete los tornillos conjunta. si lo hace puede causar daños a los tornillos, reduciendo en gran medida su capacidad de retención.



Manejo de cables

- 5** Los cables se pueden acomodar utilizando el clip para cables (J).
 Deslice el clip para cables (J) en la parte inferior de la junta central, como se muestra en la figura 5.1, y fije los cables al clip para cables usando un sujetacables (K), como se muestra en la figura 5.2.
 Fije los cables al anclaje para cables (I) usando un sujetacables (K), como se muestra abajo.

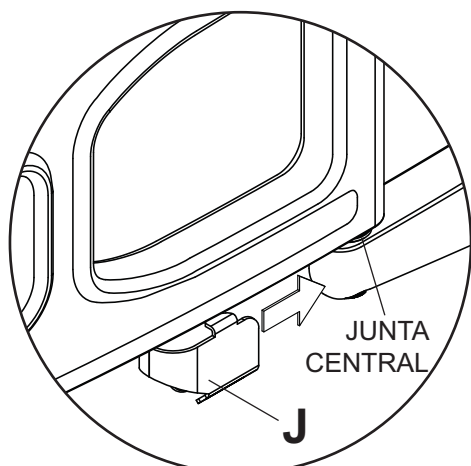


fig. 5.1

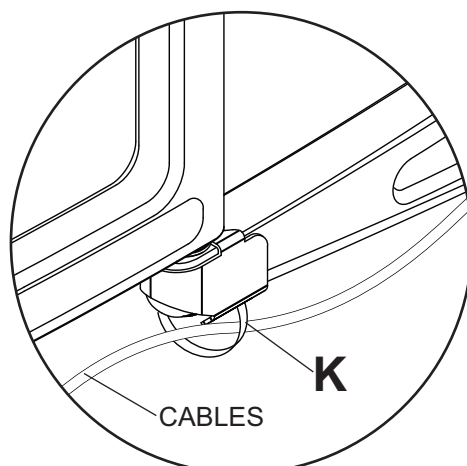
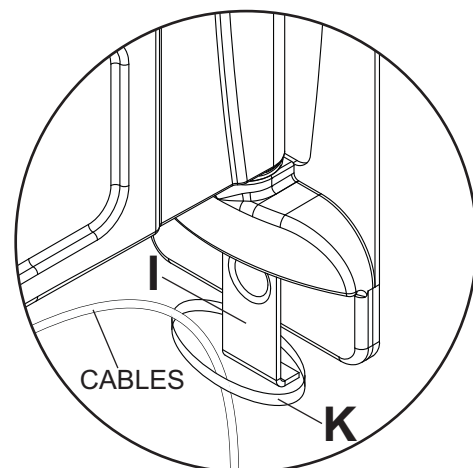


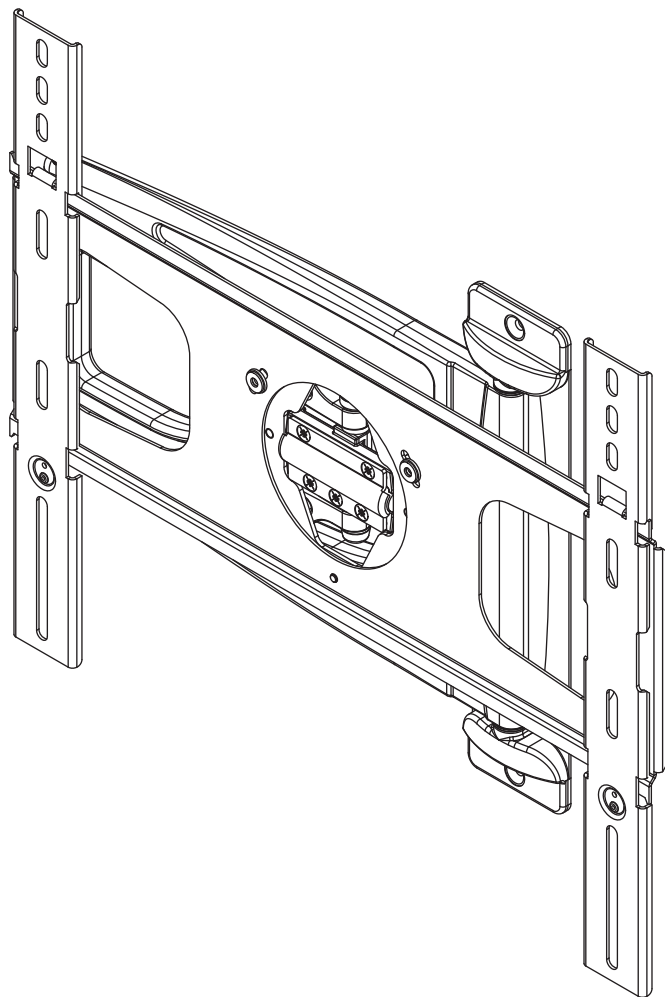
fig. 5.2





Installation et montage : Support articulé ultra-mince Peerless pour écrans plats de 32 à 46 po

Modèle: SUA746PU



*Exigences de compatibilité avec l'écran

- La profondeur de l'écran doit être de moins de 2 po.
- La profondeur de ce support (1,27 po) pourrait ne pas laisser suffisamment d'espace pour permettre une ventilation adéquate pour certains écrans. Consultez les exigences de montage du fabricant avant d'installer votre écran.
- L'écran doit avoir une surface de montage plate ou alors les trous de montage doivent se trouver à l'extrémité de la surface arrière de l'écran.
- La connexion entrée/sortie doit être orientée de manière à permettre l'installation du support à 1,27 po du mur.



Capacité de charge maximale
préconisée par l'UL:
60 lb (27.2 kg)

REMARQUE: lisez entièrement la fiche d'instructions avant de commencer l'installation et l'assemblage.

⚠ AVERTISSEMENT

- Ne commencez pas à installer votre produit Peerless avant d'avoir lu et assimilé les instructions et les avertissements contenus dans cette fiche d'installation. Pour toute question concernant les instructions ou les avertissements, veuillez appeler le service à la clientèle de Peerless au 1-800-865-2112; tous les clients internationaux sont priés de contacter leur distributeur local.
- Ce support est conçu pour fixer l'écran à 1,27 po du mur. Veuillez vous reporter aux recommandations du guide d'installation du fabricant pour établir la distance au mur requise afin d'éviter les risques de blessures ou de dommages matériels.
- Ce produit doit être installé uniquement par quelqu'un possédant une bonne aptitude à la mécanique, une expérience de la construction immobilière et ayant bien compris ces instructions.
- Assurez-vous que la surface de support puisse soutenir sans danger la charge totale de l'équipement ainsi que des pièces et composants qui y sont attachés.
- Ne dépassez jamais la capacité de charge maximum établie par l'UL. Reportez-vous à la page 19.
- Lors d'une installation sur un mur à montants en bois, assurez-vous que les vis de montage sont ancrées au centre des montants. L'utilisation d'un localisateur de montants « bord à bord » est fortement recommandée.
- Pour lever et positionner l'équipement en toute sécurité, faites-vous toujours aider par une autre personne ou utilisez un dispositif de levage mécanique.
- Serrez fermement les vis, mais sans excès. Un serrage excessif peut endommager les composants et en réduire considérablement la capacité de support.
- Ce produit est conçu uniquement pour un usage intérieur. L'utilisation de ce produit à l'extérieur peut causer une défaillance du produit et des blessures corporelles.
- Ce produit a été conçu uniquement pour une installation sur les types de murs ci-dessous :

TYPE DE MUR

PIÈCES DE FIXATION REQUISES

- | | |
|-----------------------------------|----------------------------------------------------------------------------------------------------------------------------------|
| • Montant en bois | Incluses |
| • Poutre en bois | Incluses |
| • Béton plein | Incluses |
| • Bloc de béton de mâchefer | Incluses |
| • Montant métallique | Ne pas installer sur ce type de mur sauf à l'aide de l'ensemble d'accessoires Peerless pour montants métalliques (non évalué UL) |
| • Brique | Contactez un professionnel qualifié (non évalué UL) |
| • Autre, ou vous n'êtes pas sûr ? | Contactez un professionnel qualifié |

Outils nécessaires au montage

- localisateur de montants (un localisateur de montants « bord à bord » est recommandé)
- tournevis Phillips
- perceuse
- foret de 5/32 po (4 mm) pour les murs à montants en bois
- foret de 5/16 po (8 mm) pour les murs à block de béton
- niveau

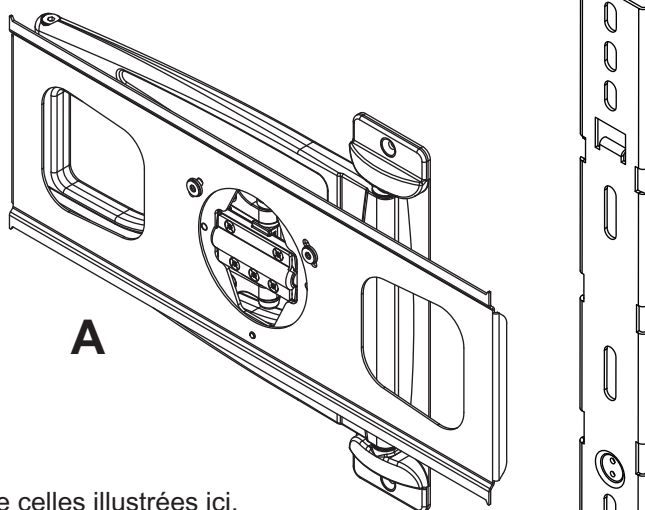
Table des matières

Liste des pièces.....	21
d'installation au mur.....	22, 23
Installation des supports adaptateurs.....	24
Montage et démontage d'un écran plat.....	26

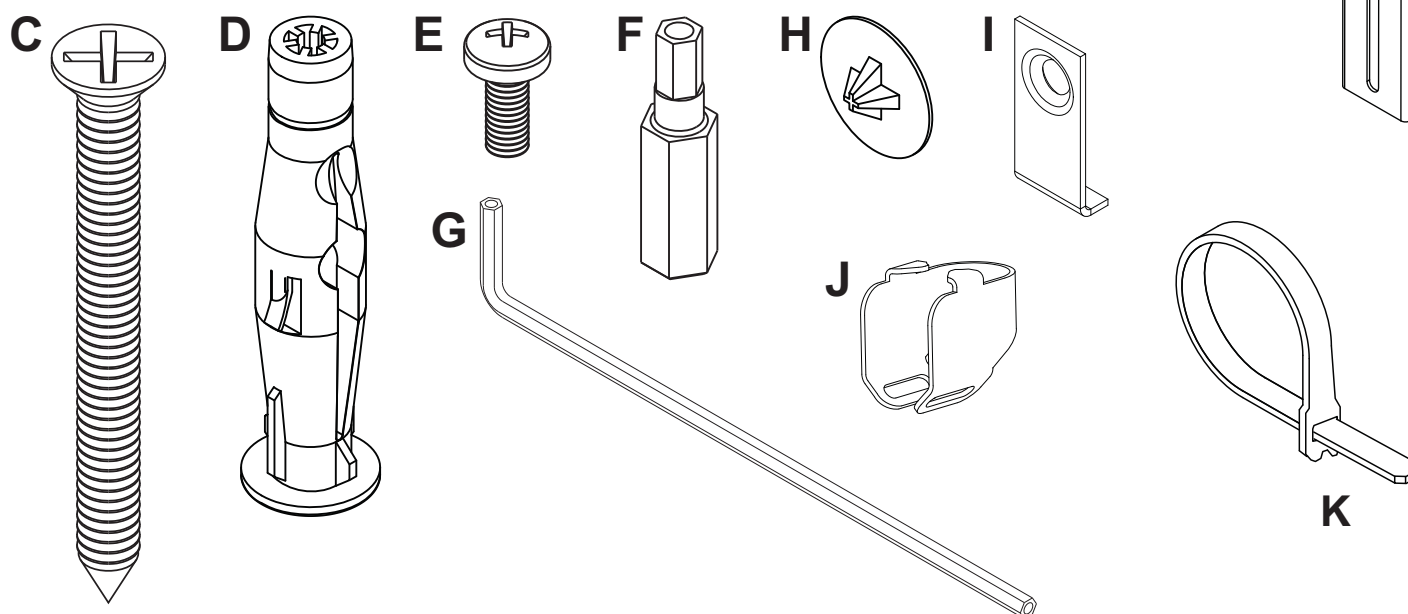
Avant de commencer, veuillez à ce que toutes les pièces énumérées soient incluses..

Liste des pièces

Description	Qté	Pièce n°
A support mural articulé	1	046-P1247
B support adaptateur	2	046-P1171
C vis à bois	2	520-1202
D chevilles d'ancrage pur béton	2	590-0320
E vis M4 x 6 mm	2	520-1006
F tournevis de sécurité	1	560-1133
G clé hexagonale 4 mm	1	560-9646
H embout de fixation	2	590-1324
I Ancrage de câble	1	046-P1134
J Serre-câble	1	046-P1138
K Attache de câble	2	046-0136



Il est possible que les pièces semblent légèrement différentes de celles illustrées ici.



Fixations des supports adaptateurs

M5 x 12 mm (4)
(560-1732)

M5 x 25 mm (4)
(560-1733)

M6 x 12 mm (4)
(560-1734)

M6 x 25 mm (4)
(560-1735)

M8 x 12 mm (4)
(560-1736)

M8 x 25 mm (4)
(560-1737)

.75 po entretoise (4)
(540-1059)

.04 po rodelle (4)
(540-9478)

Installation sur un mur à montant en bois

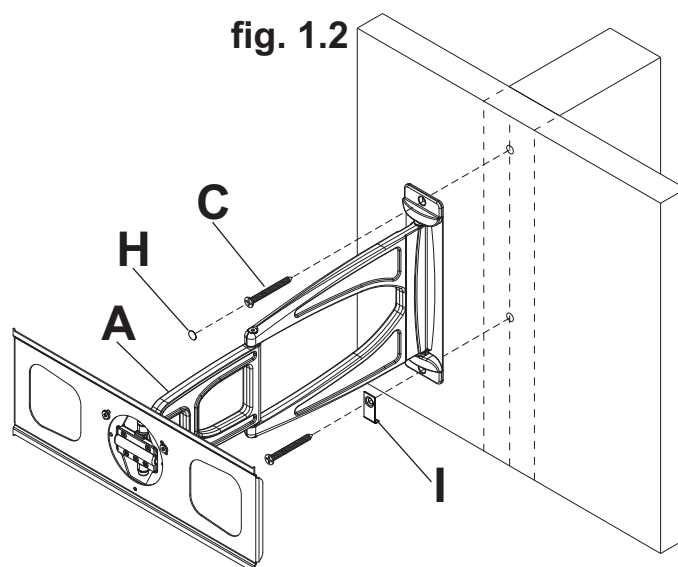
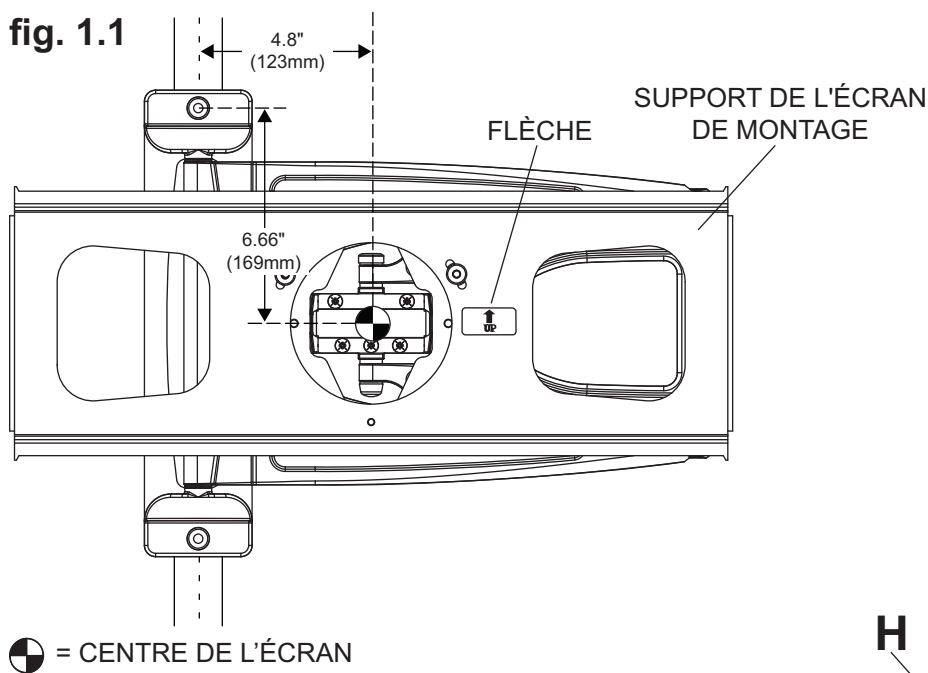
⚠ AVERTISSEMENT

- L'installateur doit s'assurer que la surface de support pourra soutenir sans danger la charge combinée de l'équipement, de toute sa visserie et de tous ses composants.
- Serrez les vis à bois de manière que la plaque murale soit fermement fixée, mais sans excès. Un serrage excessif peut endommager les vis et en réduire considérablement le pouvoir de maintien.
- Ne serrez jamais à plus de 9 Nm (80 po-lb).
- Assurez-vous que les vis de montage sont ancrées au centre des montants. L'usage d'un localisateur de montants « bord à bord » est fortement conseillé.
- La visserie est fournie pour fixer la monture à travers une cloison sèche ou du plâtre d'épaisseur standard et dans des montants en bois. Il appartient aux installateurs de fournir la visserie nécessaire pour d'autres types de situations (non évalué UL).

1 Repérez les bords du montant à l'aide d'un localisateur de montants. L'utilisation d'un localisateur de montants « bord à bord » est fortement recommandée. Après avoir repéré les bords, tracez une ligne verticale le long du centre de la solive. Mesure 4.8 po (122mm) gauche ou à droite du centre de stud à déterminer le centre de l'écran plaque de montage. Placez le bras mural (A) sur le mur en tant que modèle, le niveau et marquez le centre des deux trous de montage. La fente de montage supérieure doit être située à 6,66 po (169 mm) au-dessus de l'endroit souhaité pour le centre de support de l'écran de montage comme illustré à la figure 1.1.

Percez deux trous de 5/32 po (4 mm) de dia. à une profondeur de 2,5 po (64 mm). Fixer le bras murale (A) sur avec deux de vis à bois (C) comme illustré à la figure 1.2. Pour l'option de gestion des câbles, installez l'ancrage de câble (I) dans le trou de fixation inférieur à l'aide d'une vis à bois (C). **REMARQUE :** Veillez à ce que flèche soit tourné vers le haut lors du montage du support mural articulé (A) au mur, comme illustré à la figure 1.1.

Assurez-vous qu'elle est de niveau, puis serrez toutes les fixations. Insérez deux embouts de fixation (H) dans les trous de fixation. Les trous de fixation.

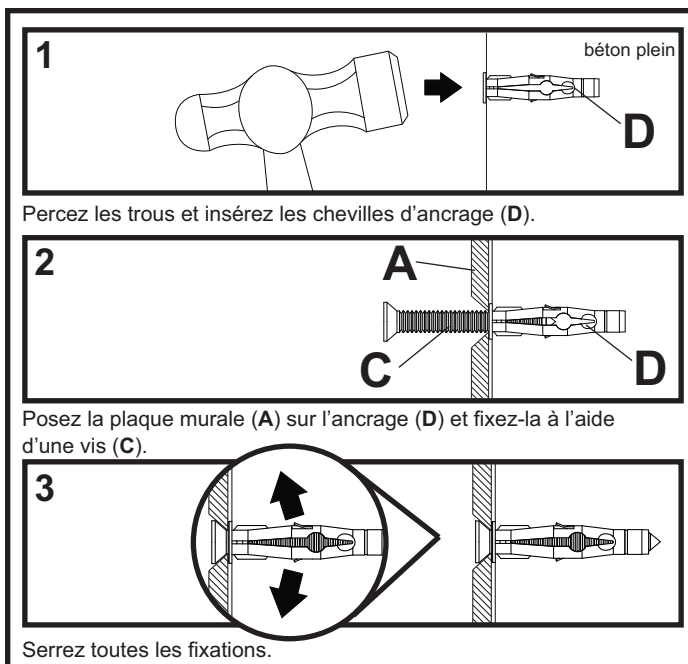


⚠ AVERTISSEMENT

- Si vous installez des montures murales Peerless sur un bloc de béton de mâchefer, vérifiez que vous disposez d'une épaisseur de béton d'au moins 35 mm (1 3/8 po) dans le trou destiné aux ancrages de béton. Ne percez pas dans les joints de mortier ! Veillez à effectuer le montage dans une partie pleine du bloc, généralement à au moins 25 mm (1 po) du côté du bloc. Le bloc de béton de mâchefer doit être conforme aux spécifications de l'ASTM C-90. Pour percer le trou, il est conseillé d'utiliser une perceuse électrique standard sur un réglage bas au lieu d'un marteau perforateur, afin d'éviter de briser la partie arrière du trou lorsque vous pénétrez un vide ou une cavité.
- Le béton doit avoir une densité minimum de 2 000 psi. Un béton de densité moindre risquerait de ne pas retenir un ancrage de béton.
- Assurez-vous que la surface de support pourra soutenir sans danger la charge combinée de l'équipement, de toute sa visserie et de tous ses composants.

1 Assurez-vous que support mural articulé (A) est de niveau et utilisez la plaque murale comme gabarit pour marquer l'emplacement des quatre trous de fixation. Les trous de montage supérieurs doivent être situés à 6,66 po (169 mm) au-dessus de l'endroit souhaité pour le centre de l'écran comme illustré à la figure 1.1 à la page 22. Percez deux trous de 5/16 po (8 mm) de dia. à une profondeur minimale de 2,5 po (64 mm). Insérez les chevilles d'ancrage (D) dans les trous au ras du mur comme illustré. Fixer le bras mural (A) sur avec deux de vis à bois (C) comme illustré à la figure 1.3. Pour l'option de gestion des câbles, installez l'ancrage de câble (I) dans le trou de fixation inférieur à l'aide d'une vis à bois (C).
REMARQUE : Veillez à ce que flèche soit tourné vers le haut lors du montage du support mural articulé (A) au mur, comme illustré à la figure 1.1.

Assurez-vous qu'elle est de niveau, puis serrez toutes les fixations. Insérez deux embouts de fixation (H) dans les trous de fixation. Les trous de fixation.



⚠ AVERTISSEMENT

- Serrez les vis de manière que la plaque murale soit fermement fixée, mais sans excès. Un serrage excessif peut endommager les vis et en réduire considérablement le pouvoir de maintien.
- Ne serrez jamais à plus de 9 Nm (80 po-lb).
- Fixez toujours des ancrages de béton directement sur du béton porteur.
- Ne fixez jamais d'ancrages sur du béton recouvert de plâtre, une cloison sèche ou autre matériau de finition. Si vous ne pouvez pas éviter d'effectuer le montage sur du béton recouvert d'une surface de finition, celle-ci doit être chambrée (non évalué UL), comme indiqué cidessous. Assurez-vous que les ancrages de béton ne se séparent pas du béton lorsque vous serrez les vis. Si l'épaisseur du plâtre / de la cloison sèche dépasse 16 mm (5/8 po), des fixations adaptées devront être fournies par l'installateur (non évalué UL).

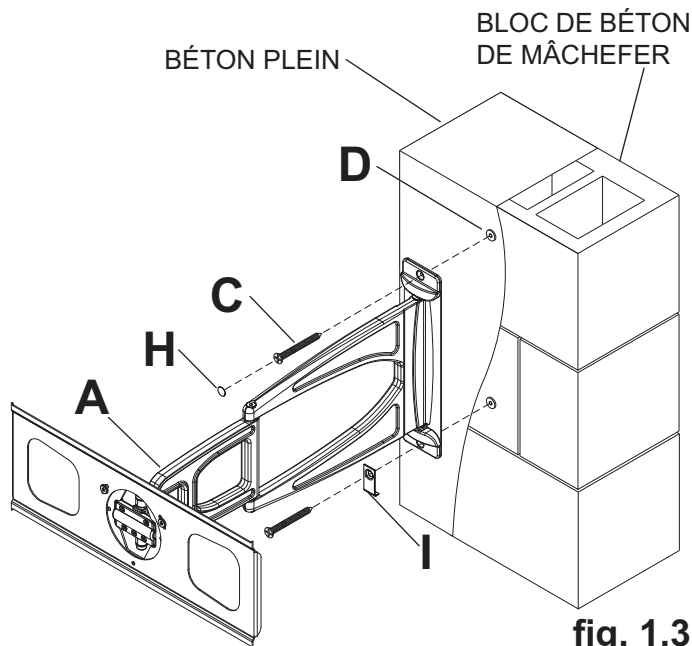
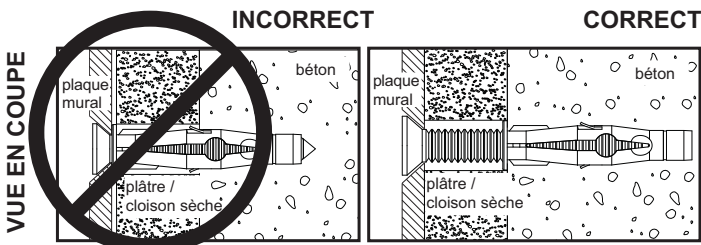


fig. 1.3

Installation des supports adaptateurs

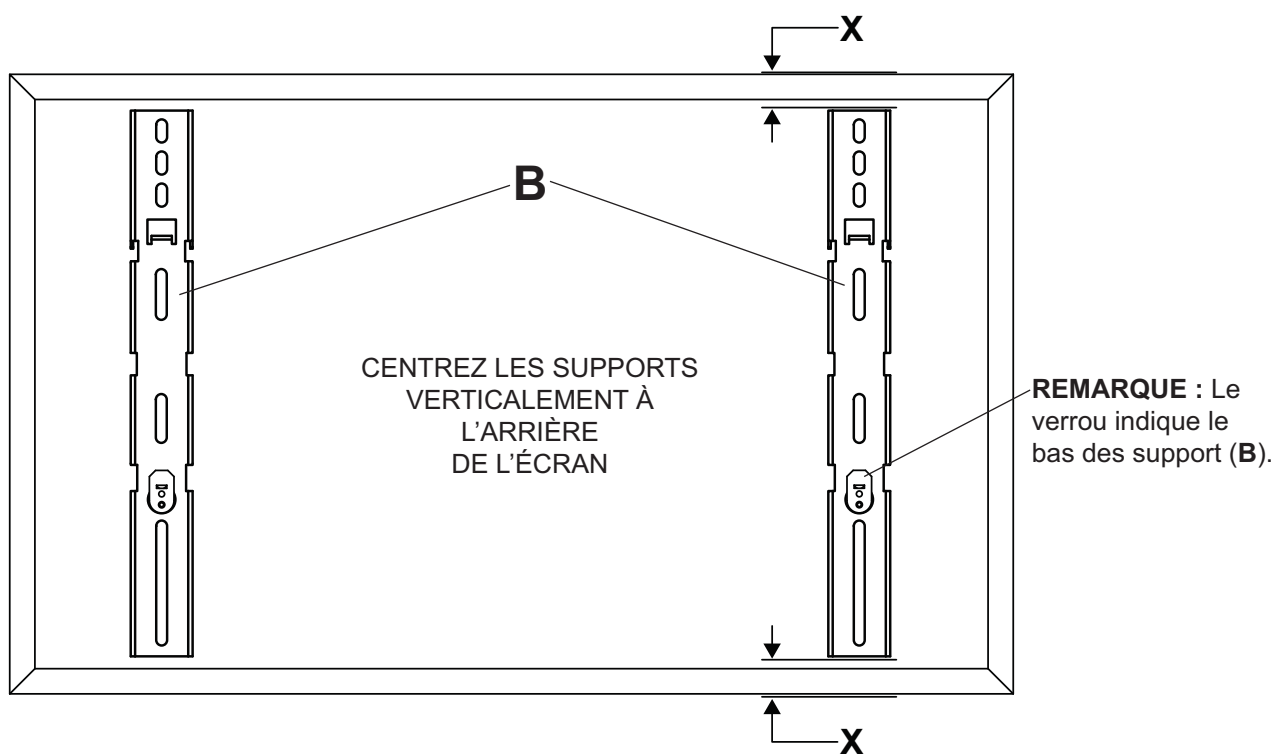
⚠ AVERTISSEMENT

- Serrez les vis de manière à ce que les supports adaptateurs tiennent solidement en place. N'exercez pas une force excessive pour serrer. Un serrage excessif peut endommager les vis, réduire considérablement leur capacité de support et, éventuellement, faire tomber les têtes de vis. Serrez à un couple maximal de 40 po-lb (4,5 Nm).
- Si les vis ne sont pas enfoncées de trois tours complets dans les inserts ou si elles sont serrées au maximum sans parvenir à fixer solidement le support, l'écran peut être abîmé ou le produit détérioré.

2 Afin d'éviter d'égratigner l'écran, posez un morceau de tissu sur une surface plane et de niveau qui peut supporter le poids de l'écran. Déposez l'écran à plat, tourné vers le bas. Si l'écran possède des boutons à l'arrière, enlevez-les pour pouvoir attacher les supports adaptateurs. Placez les supports adaptateurs (**B**) à l'arrière de l'écran, alignez-les sur les trous et centrez-les sur l'arrière de l'écran, comme illustré ci-dessous. Fixez les supports adaptateurs à l'arrière de l'écran à l'aide des vis, rondelles et entretoises, comme illustré à la l'étape 2-1 ou 2-2.

REMARQUE: Les trous supérieurs et inférieurs doivent toujours être utilisés.

Veillez à ce que tous les trous soient bien alignés, puis serrez les vis à l'aide d'un clé hexagonale (**G**).



REMARQUE : Les dimensions « X » doivent être égales.

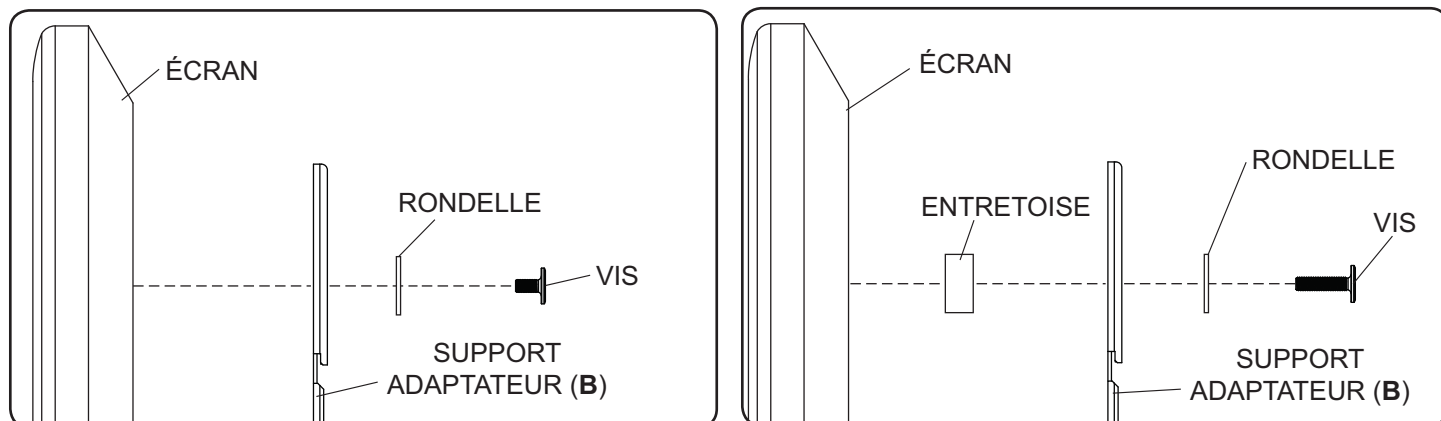
REMARQUE : Pour les écrans à dos plat, exécutez l'étape 2-1. Pour les écrans à dos convexes ou concaves passez à l'étape 2-2.

Pour les écrans à dos plat

2-1 Commencez par la vis la plus courte et vissez-la manuellement à l'écran en la faisant passer à travers la rondelle, le support adaptateur et l'entretoise, comme indiqué ci-dessous. S'il est impossible d'effectuer trois tours de vis complets dans l'écran et de les fixer solidement, choisissez une vis plus longue dans le jeu de fixations à compartiments. Répétez pour le reste des trous de fixation, mettez les supports à niveau et resserrez les vis.

REMARQUE : Il n'est pas toujours nécessaire d'utiliser des entretoises, selon le type d'écran.

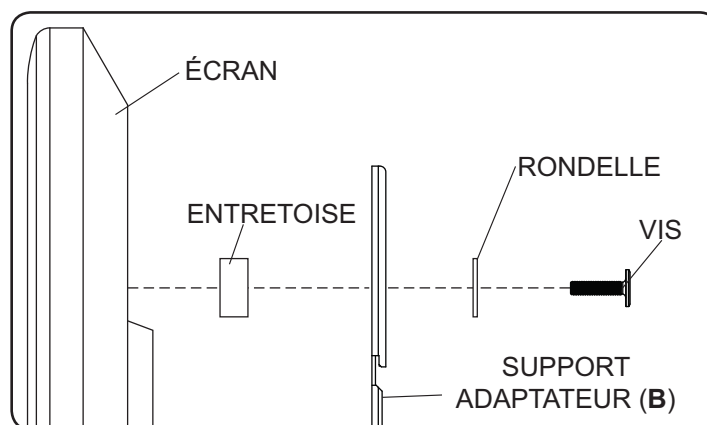
REMARQUE : Si les exigences de montage du fabricant de l'écran indiquent qu'il est nécessaire de réserver un espace de ventilation de 1,27 po, on peut ajouter un espace de 0,75 po entre le mur et l'écran à l'aide d'entretoises, comme illustré ci-dessous.



Pour toute question, veuillez appeler le service à la clientèle de Peerless au **1-800-865-2112**.

Pour un écran à dos convexe ou concave

2-2 Commencez par la vis la plus courte et vissez-la manuellement à l'écran en la faisant passer à travers la rondelle, le support adaptateur et l'entretoise, comme indiqué ci-dessous. S'il est impossible d'effectuer trois tours de vis complets dans l'écran et de les fixer solidement, choisissez une vis plus longue dans le jeu de fixations à compartiments. Répétez pour le reste des trous de fixation, mettez les supports à niveau et resserrez les vis.



Pour toute question, veuillez appeler le service à la clientèle de Peerless au **1-800-865-2112**.

Montage et démontage de l'écran plat

⚠ AVERTISSEMENT

- Pour lever et positionner l'équipement en toute sécurité, faites-vous toujours aider par une autre personne ou utilisez un matériel de levage mécanique.
- Prenez garde à ne pas vous pincer les doigts en dépliant le support et en le repliant contre le mur.
- NE PAS faire fonctionner ni incliner le support lorsque les verrous de sécurité sont en position déverrouillée. Le produit risque de tomber et de causer des blessures ou d'endommager l'écran.
- Évitez de trop serrer les vis de sécurité (E). Un serrage excessif risque d'endommager la tête de la vis et la rendre difficile à retirer. Serrez les vis à un couple maximal de 15 po-lb (1,7 Nm).

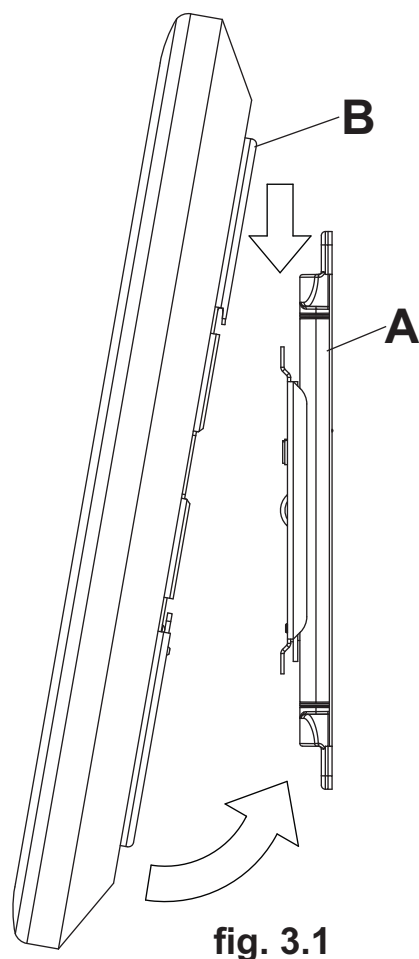
- 3** Le bras mural articulé (A) doit être en position fermée pour suspendre l'écran.
- Tourner verrou de sécurité en position déverrouillée à l'aide d'un tournevis à tête plate comme illustré dans le dessin de détail 1.



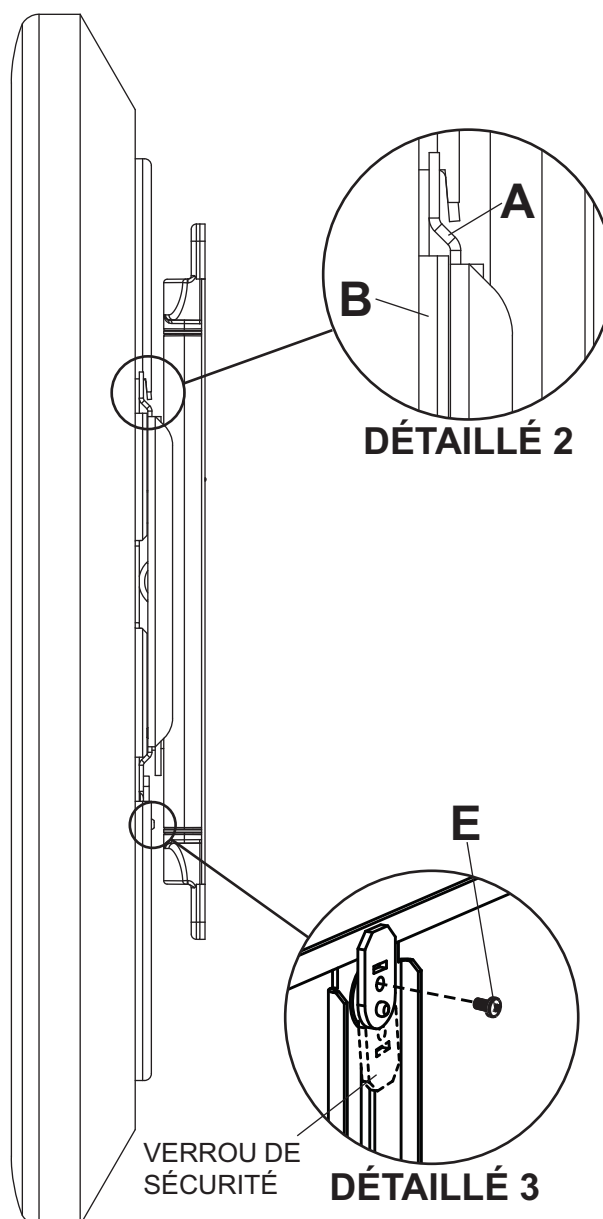
DÉTAILLÉ 1

VERROU DE SÉCURITÉ

Accrochez les supports adaptateurs (B) à la centre de la plaque d'adaptation du support mural articulé (A) comme illustré à la figure 3.1.



Faites tourner le verrou de sécurité à l'aide d'un tournevis à tête plate et installez la vis de sécurité (E) dans le verrou de sécurité puis dans le support adaptateur à l'aide d'une tournevis Phillips pour le fixer à la plaque d'adaptation comme illustré dans les dessins de détail 2 et 3.

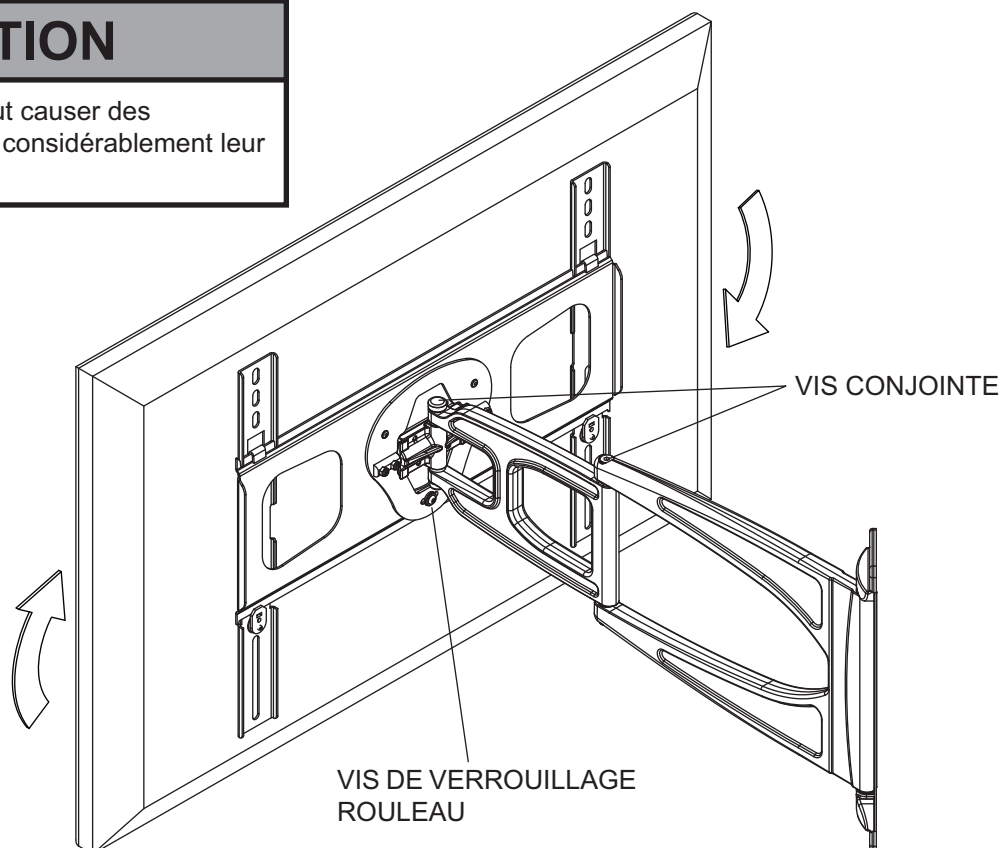


Ajustement des Pivoter

- 4** Plaque d'adaptation peut être roulé + / - 5 °. Vis de blocage rouleau peut être serré ou desserré l'aide de 4 mm clé allen (**G**). **REMARQUE** : Ne pas enlever la vis de verrouillage rouleau.

PRÉCAUTION

- Ne pas serrer les vis. Cela peut causer des dommages à vis, ce qui réduit considérablement leur capacité de support.



Gestion des câbles

- 5** Les câbles peuvent être acheminés à l'aide d'un serre-câble (**J**).
Faites glisser le serre-câble (**J**) sur la partie inférieure du raccord central comme illustré à la figure 5.1 et fixez les câbles au serre-câble à l'aide d'une attache de câble (**K**) comme illustré à la figure 5.2.
Fixez les câbles à l'ancrage de câble à l'aide (**I**) d'une attache de câble (**K**) comme illustré ci-dessous.

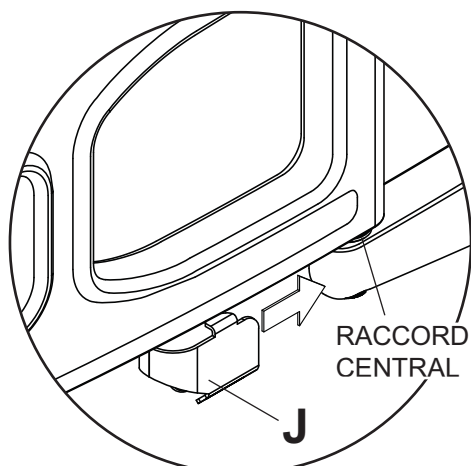


fig. 5.1

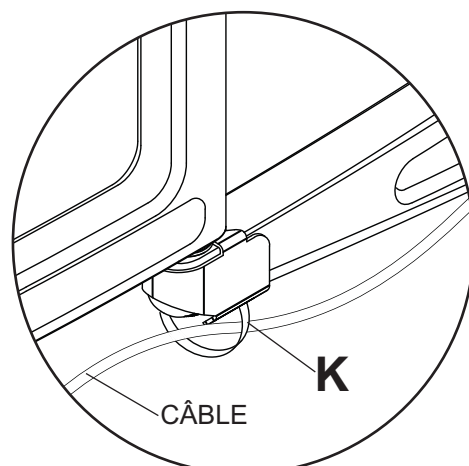
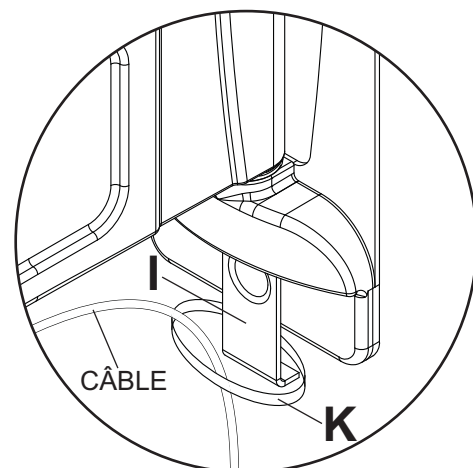


fig. 5.2



LIMITED FIVE-YEAR WARRANTY

Peerless Industries, Inc. ("Peerless") warrants to original end-users of Peerless® products will be free from defects in material and workmanship, under normal use, for a period of five years from the date of purchase by the original end-user (but in no case longer than six years after the date of the product's manufacture). At its option, Peerless will repair or replace, or refund the purchase price of, any product which fails to conform with this warranty.

In no event shall the duration of any implied warranty of merchantability or fitness for a particular purpose be longer than the period of the applicable express warranty set forth above. Some states do not allow limitations on how long an implied warranty lasts, so the above limitation may not apply to you.

This warranty does not cover damage caused by (a) service or repairs by the customer or a person who is not authorized for such service or repairs by Peerless, (b) the failure to utilize proper packing when returning the product, (c) incorrect installation or the failure to follow Peerless' instructions or warnings when installing, using or storing the product, or (d) misuse or accident, in transit or otherwise, including in cases of third party actions and force majeure.

In no event shall Peerless be liable for incidental or consequential damages or damages arising from the theft of any product, whether or not secured by a security device which may be included with the Peerless® product. Some states do not allow the exclusion or limitation of incidental or consequential damages, so the above limitation or exclusion may not apply to you.

This warranty is in lieu of all other warranties, expressed or implied, and is the sole remedy with respect to product defects. No dealer, distributor, installer or other person is authorized to modify or extend this Limited Warranty or impose any obligation on Peerless in connection with the sale of any Peerless® product.

This warranty gives specific legal rights, and you may also have other rights which vary from state to state.

peerless-AV™

www.peerlessmounts.com

© 2011 Peerless Industries, Inc.

Español

GARANTÍA LIMITADA DE CINCO AÑOS

Peerless Industries, Inc. (Peerless) les garantiza a los usuarios finales originales de los productos Peerless® que los productos Peerless® estarán libres de defectos de materiales o de manufactura, en condiciones de uso normal, durante un período de cinco (5) años a partir de la fecha en la que el usuario final original compre cualquier producto (pero, en ningún caso, durante un período mayor de 6 años después de la fecha de manufactura del producto). Queda a la discreción de Peerless, reparar, reemplazar o rembolsar el precio de compra de cualquier producto que no cumpla esta garantía.

La duración de toda garantía implícita de comerciabilidad o de idoneidad para un propósito en particular no sobrepasará en caso alguno el periodo de vigencia de la garantía explícita correspondiente indica en lo anterior. Algunos Estados no permiten que se establezcan limitaciones en relación con el período de duración de una garantía implícita, de manera que es posible que la limitación expuesta en lo anterior no sea pertinente a usted.

Esta garantía no cubre daños causados por (a) trabajos de mantenimiento o de reparación hechos por el cliente o alguna persona que no esté autorizada por Peerless para realizar dichos trabajos de mantenimiento o de reparación, (b) no empacar el producto como es debido si lo devuelve, (c) hacer una instalación incorrecta o no seguir las instrucciones o las advertencias de Peerless al instalar, utilizar o guardar el producto o (d) el mal uso o los accidentes, en tránsito o en otras circunstancias, incluidos los casos relacionados con las acciones de terceros o una fuerza mayor.

Peerless no tendrá responsabilidad en ningún caso de daños y perjuicios incidentales o indirectos o de daños y perjuicios que surjan por el robo de cualquier producto, ya sea que el mismo esté o no esté asegurado con un dispositivo de seguridad que se haya incluido con el producto de Peerless®. Algunos Estados no permiten que se excluyan o se establezcan limitaciones en relación con los daños y perjuicios incidentales o indirectos, de manera que es posible que la limitación o la exclusión expuesta en lo anterior no sea pertinente a usted.

Esta garantía reemplaza toda otra garantía, expresa o implícita, y es el único recurso en lo que respecta a los defectos del producto. Ningún concesionario, distribuidor, instalador ni ninguna otra persona está autorizada a modificar o extender esta Garantía Limitada ni a imponer obligación alguna a Peerless en relación con la venta de cualquier producto de Peerless®.

Esta garantía concede derechos específicos creados por ley y es posible que usted, además, tenga otros derechos que varían de acuerdo con el Estado donde se encuentre.

peerless-AV™

www.peerlessmounts.com

© 2011 Peerless Industries, Inc.

GARANTIE DE CINQ ANS

Peerless Industries, Inc. (« Peerless ») garantit aux utilisateurs finaux d'origine des produits Peerless^{MD} que lesdits produits ne présenteront aucun défaut de matériau ou de main-d'œuvre, dans la mesure où ils sont utilisés normalement, pendant une période de cinq ans à compter de la date d'achat par l'utilisateur final d'origine (mais en aucun cas plus de six ans après la date de fabrication du produit). Peerless, à sa discrétion, réparera ou remplacera tout produit non conforme aux termes de cette garantie, ou en remboursera le prix d'achat.

La durée de toute garantie implicite de qualité commerciale ou d'application à un usage particulier n'excédera en aucun cas la durée de la garantie applicable expressément stipulée plus haut. Certains états ou provinces n'autorisent pas la limitation de la durée d'une garantie implicite, et la limitation ci-dessus peut donc ne pas vous être applicable.

Cette garantie ne couvre pas les dommages causés par (a) un entretien ou des réparations effectués par l'acheteur ou une personne non autorisée par Peerless à effectuer un tel entretien ou de telles réparations, (b) un emballage inadéquat lors de l'expédition d'un produit retourné, (c) une installation incorrecte ou le non-respect des instructions ou mises en garde de Peerless lors de l'installation, l'utilisation ou le rangement du produit, ou (d) une mauvaise utilisation ou un accident survenu lors d'un transport ou autrement, y compris l'intervention de tiers et les cas de force majeure.

Peerless ne peut en aucun cas être tenu responsable de quelque dommage accessoire ou indirect que ce soit ni de dommages résultant du vol d'un quelconque produit, que celui-ci ait été ou non protégé par un dispositif de sécurité intégré à un produit Peerless^{MD}. Certains états ou provinces n'autorisent pas l'exclusion ou la restriction des dommages accessoires ou indirects, et il est possible que les restrictions ou exclusions ci-dessus ne s'appliquent pas à votre cas.

Les dispositions de cette garantie remplacent toute autre garantie expresse ou implicite et constituent le seul recours possible en cas de défectuosité d'un produit. Aucun marchand, distributeur, installateur ou autre personne n'est autorisé à modifier ou étendre la portée de cette garantie limitée, ni à imposer quelque obligation ce que soit à Peerless en ce qui concerne la vente de tout produit Peerless^{MD}.

Cette garantie offre des droits juridiques particuliers auxquels peuvent s'ajouter d'autres droits, susceptibles de varier d'une province ou d'un état à l'autre.

peerless-AV

www.peerlessmounts.com

© 2011 Peerless Industries, Inc.